

**ThinkPad**

# Hardware Maintenance Manual

**ThinkPad Edge E445**

**Note:** Before using this information and the product it supports, be sure to read the general information under Appendix A “Notices” on page 101.

**First Edition (June 2013)**

**© Copyright Lenovo 2013.**

LIMITED AND RESTRICTED RIGHTS NOTICE: If data or software is delivered pursuant a General Services Administration “GSA” contract, use, reproduction, or disclosure is subject to restrictions set forth in Contract No. GS-35F-05925.

---

# Contents

## About this manual. . . . . iii

## Chapter 1. Safety information. . . . . 1

|   |    |
|---|----|
| General safety . . . . .  | 1  |
| Electrical safety . . . . .   | 2  |
| Safety inspection guide . . . . .                                       | 3  |
| Handling devices that are sensitive to electrostatic discharge. . . . . | 3  |
| Grounding requirements . . . . .  | 4  |
| Safety notices (multilingual translations). . . . .                     | 4  |
| Laser compliance statement (multilingual translations). . . . .         | 17 |

## Chapter 2. Important service information . . . . . 23

|  |    |
|--|----|
| Strategy for replacing FRUs . . . . .  | 23 |
| Strategy for replacing a hard disk drive . . . . .                                   | 24 |
| Important notice for replacing a system board . . . . .                              | 24 |
| How to use error codes . . . . .   | 24 |
| Strategy for replacing FRUs for CTO, special bid model, and standard model . . . . . | 24 |
| Product definition. . . . .  | 24 |
| FRU identification. . . . .  | 25 |

## Chapter 3. General checkout . . . . . 27

|   |    |
|---|----|
| What to do first . . . . .              | 27 |
| Checkout guide . . . . .                | 28 |
| Lenovo Solution Center . . . . .        | 28 |
| Quick test programs. . . . .            | 28 |
| UEFI diagnostic program . . . . .       | 29 |
| Bootable diagnostic programs. . . . .   | 29 |
| Power system checkout . . . . .         | 30 |
| Checking the ac power adapter . . . . . | 30 |
| Checking operational charging . . . . . | 31 |
| Checking the battery pack . . . . .     | 31 |
| Checking the backup battery . . . . .   | 32 |

## Chapter 4. Related service information . . . . . 33

|   |    |
|---|----|
| Restoring the factory contents using the recovery disc set . . . . .            | 33 |
| Using the Windows recovery programs on the Windows 8 operating system . . . . . | 34 |
| Passwords . . . . .   | 36 |
| Power-on password. . . . .  | 37 |
| Hard disk password. . . . .   | 37 |
| Supervisor password . . . . .   | 37 |

|  |    |
|--|----|
| How to remove the power-on password . . . . .                        | 37 |
| How to remove the hard disk password . . . . .                       | 38 |
| Power management . . . . .   | 38 |
| Screen blank mode (for the Windows 7 operating system only). . . . . | 38 |
| Sleep mode . . . . .   | 38 |
| Hibernation mode . . . . .   | 39 |
| Symptom-to-FRU index . . . . .                                       | 39 |
| Numeric error codes . . . . .  | 40 |
| Error messages . . . . .   | 41 |
| Beep symptoms . . . . .  | 42 |
| No-beep symptoms . . . . .   | 42 |
| LCD-related symptoms . . . . .                                       | 42 |
| Intermittent problems . . . . .                                      | 43 |
| Undetermined problems . . . . .                                      | 43 |

## Chapter 5. Status indicators . . . . . 45

## Chapter 6. Special keys . . . . . 47

## Chapter 7. Locations . . . . . 49

|   |    |
|---|----|
| Locating computer controls, connectors, and indicators. . . . . | 49 |
| Front view. . . . .   | 49 |
| Rear view . . . . .   | 50 |
| Bottom view . . . . .   | 50 |
| Locating FRUs and CRUs . . . . .                                | 50 |
| Major FRUs and CRUs. . . . .                                    | 52 |
| LCD FRUs and CRUs . . . . .                                     | 54 |
| Miscellaneous parts and other FRUs . . . . .                    | 55 |
| Looking up FRU information . . . . .                            | 55 |

## Chapter 8. FRU replacement notices . . . . . 57

|  |    |
|--|----|
| Screw notices . . . . .                                  | 57 |
| Retaining serial numbers. . . . .                        | 58 |
| Restoring the serial number of the system unit . . . . . | 58 |
| Retaining the UUID . . . . .                             | 59 |
| Reading or writing the ECA information . . . . .         | 59 |

## Chapter 9. Removing or replacing a FRU . . . . . 61

|   |    |
|---|----|
| General guidelines . . . . .                | 61 |
| 1010 Battery pack . . . . .                 | 62 |
| 1020 Large bottom cover . . . . .           | 62 |
| 1030 Small bottom cover . . . . .           | 63 |
| 1040 Optical drive or blank bezel . . . . . | 64 |

|   |    |
|---|----|
| 1050 Memory modules . . . . .   | 65 |
| 1060 Hard disk drive assembly . . . . .   | 66 |
| 1070 PCI Express Mini Card for wireless LAN and wireless LAN card bracket . . . . . | 68 |
| 1080 Backup battery . . . . .   | 70 |
| 1090 Thermal fan . . . . .  | 71 |
| 1100 Thermal pipes. . . . .   | 71 |
| 1110 Keyboard . . . . .   | 73 |
| 1120 Keyboard bezel . . . . .   | 76 |
| 1130 Microprocessor . . . . .   | 78 |
| 1140 System board assembly. . . . .   | 79 |
| 1150 Speaker assembly . . . . .   | 82 |
| 1160 Card reader subcard . . . . .  | 84 |
| 1170 Power button sub card . . . . .  | 84 |
| 1180 I/O sub card with USB connector and audio jack . . . . .                       | 85 |

|  |    |
|--|----|
| 1190 RJ45 sub card . . . . .   | 87 |
| 1200 LCD unit . . . . .  | 89 |
| 1210 Base cover assembly and DC-in connector . . . . .               | 91 |
| 2010 LCD bezel assembly . . . . .                                    | 94 |
| 2020 LCD panel and hinges . . . . .                                  | 95 |
| 2030 Camera assembly and LCD cables with dual microphones . . . . .  | 97 |
| 2040 Wireless antenna assembly and LCD rear cover assembly . . . . . | 99 |

**Appendix A. Notices . . . . . 101**

|                                      |     |
|--------------------------------------|-----|
| Electronic emission notices. . . . . | 102 |
| Trademarks . . . . .                 | 102 |
| Abbreviation table . . . . .         | 102 |

---

## About this manual

This manual contains service and reference information for the following ThinkPad® products:

**ThinkPad Edge E445**

Machine Type (MT) 20B1

Use this manual along with the advanced diagnostic tests to troubleshoot problems.

### **Important:**

This manual is intended only for trained service technicians who are familiar with ThinkPad products. Use this manual along with the advanced diagnostic tests to troubleshoot problems effectively. Before servicing a ThinkPad product, be sure to read all the information under Chapter 1 “Safety information” on page 1 and Chapter 2 “Important service information” on page 23.



---

## Chapter 1. Safety information

This chapter presents the following safety information that you need to be familiar with before you service a ThinkPad notebook computer.

- “General safety” on page 1
- “Electrical safety” on page 2
- “Safety inspection guide” on page 3
- “Handling devices that are sensitive to electrostatic discharge” on page 3
- “Grounding requirements” on page 4
- “Safety notices (multilingual translations)” on page 4
- “Laser compliance statement (multilingual translations)” on page 17

---

### General safety

Follow these rules to ensure general safety:

- Observe good housekeeping in the area of the machines during and after maintenance.
- When lifting any heavy object:
  1. Make sure that you can stand safely without slipping.
  2. Distribute the weight of the object equally between your feet.
  3. Use a slow lifting force. Never move suddenly or twist when you attempt to lift.
  4. Lift by standing or by pushing up with your leg muscles; this action removes the strain from the muscles in your back. Do not attempt to lift any object that weighs more than 16 kg (35 lb) or that you think is too heavy for you.
- Do not perform any action that causes hazards to the customer, or that makes the equipment unsafe.
- Before you start the machine, make sure that other service technicians and the customer's personnel are not in a hazardous position.
- Place removed covers and other parts in a safe place, away from all personnel, while you are servicing the machine.
- Keep your toolcase away from walk areas so that other people will not trip over it.
- Do not wear loose clothing that can be trapped in the moving parts of a machine. Make sure that your sleeves are fastened or rolled up above your elbows. If your hair is long, fasten it.
- Insert the ends of your necktie or scarf inside clothing or fasten it with a nonconductive clip, about 8 centimeters (3 inches) from the end.
- Do not wear jewelry, chains, metal-frame eyeglasses, or metal fasteners for your clothing, because metal objects are good electrical conductors.
- Wear safety glasses when you are hammering, drilling, soldering, cutting wire, attaching springs, using solvents, or working in any other conditions that might be hazardous to your eyes.
- After service, reinstall all safety shields, guards, labels, and ground wires. Replace any safety device that is worn or defective.
- Reinstall all covers correctly before returning the machine to the customer.
- Fan louvers on the machine help to prevent overheating of internal components. Do not obstruct fan louvers or cover them with labels or stickers.

---

## Electrical safety

Observe the following rules when working on electrical equipment.

### Important:

- Use only approved tools and test equipment. Some hand tools have handles covered with a soft material that does not insulate you when working with live electrical currents.
- Many customers have, near their equipment, rubber floor mats that contain small conductive fibers to decrease electrostatic discharges (ESD). Do not use this type of mat to protect yourself from electrical shock.
- Find the room emergency power-off (EPO) switch, disconnecting switch, or electrical outlet. If an electrical accident occurs, you can then operate the switch or unplug the power cord quickly.
- Do not work alone under hazardous conditions or near equipment that has hazardous voltages.
- Disconnect all power before:
  - Performing a mechanical inspection
  - Working near power supplies
  - Removing or installing main units
- Before you start to work on the machine, unplug the power cord. If you cannot unplug it, ask the customer to power off the wall box that supplies power to the machine, and to lock the wall box in the off position.
- If you need to work on a machine that has exposed electrical circuits, observe the following precautions:
  - Ensure that another person, familiar with the power-off controls, is near you. That person must be there to switch off the power, if necessary.
  - Use only one hand when working with powered-on electrical equipment; keep the other hand in your pocket or behind your back.

### CAUTION:

**An electrical shock can occur only when there is a complete circuit. By observing the above rule, you may prevent a current from passing through your body.**

- When using testers, set the controls correctly and use the approved probe leads and accessories for that tester.
- Stand on suitable rubber mats (obtained locally, if necessary) to insulate you from grounds such as metal floor strips and machine frames.

Observe the special safety precautions when you work with very high voltages. Instructions for these precautions are in the safety sections of maintenance information. Use extreme care when measuring high voltages.

- Regularly inspect and maintain your electrical hand tools for safe operational condition.
- Do not use worn or broken tools and testers.
- Never assume that power has been disconnected from a circuit. First, check that it has been powered off.
- Always look carefully for possible hazards in your work area. Examples of these hazards are moist floors, non-grounded power extension cables, power surges, and missing safety grounds.
- Do not touch live electrical circuits with the reflective surface of a plastic dental mirror. The surface is conductive; such touching can cause personal injury and machine damage.
- Do not service the following parts with the power on:
  - Power supply units
  - Pumps
  - Blowers and fans
  - Motor generators
  - Units similar to those listed above

This practice ensures correct grounding of the units.



- If an electrical accident occurs:
  - Use caution; do not become a victim yourself.
  - Switch off power.
  - Send another person to get medical aid.

---

## Safety inspection guide

The purpose of this inspection guide is to assist you in identifying potentially unsafe conditions. As each machine was designed and built, required safety items were installed to protect users and service technicians from injury. This guide addresses only those items. You should use good judgment to identify potential safety hazards due to attachment of non-ThinkPad features or options not covered by this inspection guide.

If any unsafe conditions are present, you must determine how serious the apparent hazard could be and whether you can continue without first correcting the problem.

Consider these conditions and the safety hazards they present:

- Electrical hazards, especially primary power (primary voltage on the frame can cause serious or fatal electrical shock)
- Explosive hazards, such as a damaged CRT face or a bulging capacitor
- Mechanical hazards, such as loose or missing hardware

To determine whether there are any potentially unsafe conditions, use the following checklist at the beginning of every service task. Begin the checks with the power off, and the power cord disconnected.

Checklist:

1. Check exterior covers for damage (loose, broken, or sharp edges).
2. Turn off the computer. Disconnect the power cord.
3. Check the power cord for:
  - a. A third-wire ground connector in good condition. Use a meter to measure third-wire ground continuity for 0.1 ohm or less between the external ground pin and the frame ground.
  - b. The power cord should be the authorized type specified for your computer. Go to: <http://www.lenovo.com/serviceparts-lookup>.
  - c. Insulation must not be frayed or worn.
4. Check for cracked or bulging batteries.
5. Remove the cover.
6. Check for any obvious non-ThinkPad alterations. Use good judgment as to the safety of any non-ThinkPad alterations.
7. Check inside the unit for any obvious unsafe conditions, such as metal filings, contamination, water or other liquids, or signs of fire or smoke damage.
8. Check for worn, frayed, or pinched cables.
9. Check that the power-supply cover fasteners (screws or rivets) have not been removed or tampered with.

---

## Handling devices that are sensitive to electrostatic discharge

Any computer part containing transistors or integrated circuits (ICs) should be considered sensitive to (ESD). ESD damage can occur when there is a difference in charge between objects. Protect against ESD damage by equalizing the charge so that the machine, the part, the work mat, and the person handling the part are all at the same charge.

**Notes:**

1. Use product-specific ESD procedures when they exceed the requirements noted here.
2. Make sure that the ESD protective devices you use have been certified (ISO 9000) as fully effective.

When handling ESD-sensitive parts:

- Keep the parts in protective packages until they are inserted into the product.
- Avoid contact with other people.
- Wear a grounded wrist strap against your skin to eliminate static on your body.
- Prevent the part from touching your clothing. Most clothing is insulative and retains a charge even when you are wearing a wrist strap.
- Use a grounded work mat to provide a static-free work surface. The mat is especially useful when handling ESD-sensitive devices.
- Select a grounding system, such as those listed below, to provide protection that meets the specific service requirement.

**Note:** The use of a grounding system to guard against ESD damage is desirable but not necessary.

- Attach the ESD ground clip to any frame ground, ground braid, or green-wire ground.
- When working on a double-insulated or battery-operated system, use an ESD common ground or reference point. You can use coax or connector-outside shells on these systems.
- Use the round ground prong of the ac plug on ac-operated computers.

---

## Grounding requirements

Electrical grounding of the computer is required for operator safety and correct system function. Proper grounding of the electrical outlet can be verified by a certified electrician.

---

## Safety notices (multilingual translations)

The safety notices in this section are provided in the following languages:

- English
- Arabic
- Brazilian Portuguese
- French
- German
- Hebrew
- Japanese
- Korean
- Spanish
- Traditional Chinese



### DANGER

**Before the computer is powered on after FRU replacement, make sure that all screws, springs, and other small parts are in place and are not left loose inside the computer. Verify this by shaking the computer and listening for rattling sounds. Metallic parts or metal flakes can cause electrical short circuits.**



**DANGER**

Some standby batteries contain a small amount of nickel and cadmium. Do not disassemble a standby battery, recharge it, throw it into fire or water, or short-circuit it. Dispose of the battery as required by local ordinances or regulations. Use only the battery in the appropriate parts listing. Use of an incorrect battery can result in ignition or explosion of the battery.



**DANGER**

The battery pack contains small amounts of nickel. Do not disassemble it, throw it into fire or water, or short-circuit it. Dispose of the battery pack as required by local ordinances or regulations. Use only the battery in the appropriate parts listing when replacing the battery pack. Use of an incorrect battery can result in ignition or explosion of the battery.



**DANGER**

The lithium battery can cause a fire, an explosion, or a severe burn. Do not recharge it, remove its polarized connector, disassemble it, heat it above 100°C (212°F), incinerate it, or expose its cell contents to water. Dispose of the battery as required by local ordinances or regulations. Use only the battery in the appropriate parts listing. Use of an incorrect battery can result in ignition or explosion of the battery.



**DANGER**

If the LCD breaks and the fluid from inside the LCD gets into your eyes or on your hands, immediately wash the affected areas with water for at least 15 minutes. Seek medical care if any symptoms from the fluid are present after washing.



**DANGER**

To avoid shock, do not remove the plastic cover that protects the lower part of the inverter card.



**DANGER**

Though the main batteries have low voltage, a short-circuited or grounded battery can produce enough current to burn personnel or combustible materials.



## DANGER

Unless hot swap is allowed for the FRU being replaced, do as follows before removing it: power off the computer, unplug all power cords from electrical outlets, remove the battery pack, and disconnect any interconnecting cables.



خطر

قبل اعادة تشغيل الحاسب بعد الانتهاء من استبدال FRU، تأكد من أنه قد تم اعادة كل من المسامير و السوست وكل الأجزاء الصغيرة الأخرى في أماكنهم ولم يتم فقدهم داخل الحاسب. ويمكن التحقق من ذلك عن طريق هز الحاسب والاستماع لأي صوت صاخب يصدر منه. قد تؤدي الأجزاء أو الرقائق المعدنية الى حدوث دائرة قصر.



خطر

تحتوي بعض البطاريات الاحتياطية على كمية صغيرة من مادتي النيكل والكاديوم. لا تقم بفك أو اعادة شحن البطارية الاحتياطية ولا تقم أيضا بالقائها في النار أو الماء ولا تتسبب في احدث دائرة قصر بها. قم بالتخلص من البطارية كما هو موضح في القوانين المحلية. استخدم نوع البطارية المحدد والذي يوصى باستخدامه. حيث أنه قد يؤدي استخدام نوع بطارية غير صحيح الى اشتعالها أو انفجارها.



خطر

تحتوي حزمة البطارية على كمية صغيرة من مادة النيكل. لا تقم بفكها أو القاءها في النار أو الماء ولا تتسبب في احدث دائرة قصر بها. تخلص من حزمة البطارية وفقا لما هو موضح في القوانين المحلية. قم، عند استبدال حزمة البطارية، باستخدام الأنواع المحددة فقط والتي يوصى باستخدامها. حيث أنه قد يؤدي استخدام نوع بطارية غير صحيح الى اشتعالها أو انفجارها.



خطر

قد تتسبب بطارية الليثيوم في حدوث حريق أو انفجار أو حدوث حروق شديدة. لا تقم باعادة شحن البطارية أو ازالة موصل الاستقطاب الخاص بها ولا تحاول أيضا فكها أو تسخينها لأكثر من ١٠٠ درجة مئوية (٢١٢١ فهرنهايت) أو حرقها أو تعريض محتويات الخانة الخاصة بها للماء. قم بالتخلص من البطارية وفقا لما هو موضح في القوانين المحلية. استخدم نوع البطارية المحدد والذي يوصى باستخدامه. حيث أنه قد يؤدي استخدام نوع بطارية غير صحيح الى اشتعالها أو انفجارها.



خطر

إذا ما انكسرت شاشة LCD ولامس السائل الداخلي عينيك أو يديك، قم في الحال بغسلهما بالماء لمدة لا تقل عن ١٥ دقيقة. إذا ما وجدت أي أعراض بعد الغسل اطلب عندئذ المساعدة الطبية.



خطر

لتجنب التعرض لأي صدمات، لا تقم بإزالة الغطاء البلاستيكي الذي يحمي الجزء الأسفل من بطاقة العاكس.



خطر

على الرغم من أن البطاريات الرئيسية يكون لها جهد منخفض، إلا أنه قد تقوم البطاريات التي حدث قصور بها أو التي تم توصيلها أرضيا بإصدار تيار يكفي لحدوث حروق للأفراد أو تعرض المواد القابلة للاشتعال للحريق.



خطر

ما لم يتم السماح بالتبديل الفوري لأي FRU الجاري استبداله بدون ضرورة اغلاق النظام، قم بتنفيذ ما يلي قبل ازالته. قم بإيقاف تشغيل الحاسب ونزع كل أسلاك الطاقة من المخارج الكهربائية وقم أيضا بإزالة حزمة البطارية ثم قم بفصل أي كابلات متصلة.



## PERIGO

Antes de ligar o computador após a substituição da FRU, certifique-se de que todos os parafusos, molas e outras peças pequenas estejam no lugar e não estejam soltos dentro do computador. Verifique isso sacudindo o computador e procurando ouvir sons de peças soltas. Peças metálicas ou lascas de metal podem causar curto-circuito.



## PERIGO

Algumas baterias reserva contêm uma pequena quantidade de níquel e cádmio. Não desmonte uma bateria reserva, recarregue-a, jogue-a no fogo ou na água, ou deixe-a entrar em curto-circuito. Descarte a bateria conforme requerido pelas leis ou regulamentos locais. Use somente a bateria nas partes listadas apropriadas. O uso de uma bateria incorreta pode resultar em combustão ou explosão da bateria.



## PERIGO

O pacote da bateria contém uma pequena quantidade de níquel. Não o desmonte, jogue-o no fogo ou na água, ou deixe-o entrar em curto-circuito. Descarte o pacote da bateria conforme requerido pelas leis ou regulamentos locais. Use somente a bateria nas partes listadas apropriadas ao substituir o pacote da bateria. O uso de uma bateria incorreta pode resultar em combustão ou explosão da bateria.



#### PERIGO

A bateria de lítio pode causar incêndio, explosão ou graves queimaduras. Não a recarregue, remova seu conector polarizado, desmonte-a, aqueça-a acima de 100°C (212°F), incinere-a, ou exponha o conteúdo de sua célula à água. Descarte a bateria conforme requerido pelas leis ou regulamentos locais. Use somente a bateria nas partes listadas apropriadas. O uso de uma bateria incorreta pode resultar em combustão ou explosão da bateria.



#### PERIGO

Se o LCD quebrar e o fluido de dentro dele entrar em contato com seus olhos ou com suas mãos, lave as áreas afetadas imediatamente com água durante pelo menos 15 minutos. Procure cuidados médicos se algum sintoma causado pelo fluido surgir após a lavagem.



#### PERIGO

Para evitar choque elétrico, não remova a capa plástica que protege a parte inferior da placa inversora.



#### PERIGO

Embora as principais baterias possuam baixa voltagem, uma bateria em curto-circuito ou aterrada pode produzir corrente o bastante para queimar materiais de pessoal ou inflamáveis.



#### PERIGO

A menos que uma hot swap seja permitida para a FRU que está sendo substituída, faça o seguinte antes de removê-la: desligue o computador, desconecte todos os cabos de energia das tomadas, remova o pacote de baterias e desconecte quaisquer cabos de interconexão.



## DANGER

Avant de remettre l'ordinateur sous tension après remplacement d'une unité en clientèle, vérifiez que tous les ressorts, vis et autres pièces sont bien en place et bien fixées. Pour ce faire, secouez l'unité et assurez-vous qu'aucun bruit suspect ne se produit. Des pièces métalliques ou des copeaux de métal pourraient causer un court-circuit.



## DANGER

Certaines batteries de secours contiennent du nickel et du cadmium. Ne les démontez pas, ne les rechargez pas, ne les exposez ni au feu ni à l'eau. Ne les mettez pas en court-circuit. Pour les mettre au rebut, conformez-vous à la réglementation en vigueur. Lorsque vous remplacez la pile de sauvegarde ou celle de l'horloge temps réel, veillez à n'utiliser que les modèles cités dans la liste de pièces détachées adéquate. Une batterie ou une pile inappropriée risque de prendre feu ou d'exploser.



## DANGER

La batterie contient du nickel. Ne la démontez pas, ne l'exposez ni au feu ni à l'eau. Ne la mettez pas en court-circuit. Pour la mettre au rebut, conformez-vous à la réglementation en vigueur. Lorsque vous remplacez la batterie, veillez à n'utiliser que les modèles cités dans la liste de pièces détachées adéquate. En effet, une batterie inappropriée risque de prendre feu ou d'exploser.



## DANGER

La pile de sauvegarde contient du lithium. Elle présente des risques d'incendie, d'explosion ou de brûlures graves. Ne la rechargez pas, ne retirez pas son connecteur polarisé et ne la démontez pas. Ne l'exposez pas à une température supérieure à 100°C, ne la faites pas brûler et n'en exposez pas le contenu à l'eau. Mettez la pile au rebut conformément à la réglementation en vigueur. Une pile inappropriée risque de prendre feu ou d'exploser.



## DANGER

Si le panneau d'affichage à cristaux liquides se brise et que vous recevez dans les yeux ou sur les mains une partie du fluide, rincez-les abondamment pendant au moins quinze minutes. Consultez un médecin si des symptômes persistent après le lavage.



## DANGER

Afin d'éviter tout risque de choc électrique, ne retirez pas le cache en plastique protégeant la partie inférieure de la carte d'alimentation.



## DANGER

Bien que le voltage des batteries principales soit peu élevé, le court-circuit ou la mise à la masse d'une batterie peut produire suffisamment de courant pour brûler des matériaux combustibles ou causer des brûlures corporelles graves.



## DANGER

Si le remplacement à chaud n'est pas autorisé pour l'unité remplaçable sur site que vous remplacez, procédez comme suit avant de retirer l'unité : mettez l'ordinateur hors tension, débranchez tous les cordons d'alimentation des prises de courant, retirez le bloc de batterie et déconnectez tous les câbles d'interconnexion.



## VORSICHT

Bevor nach einem FRU-Austausch der Computer wieder angeschlossen wird, muß sichergestellt werden, daß keine Schrauben, Federn oder andere Kleinteile fehlen oder im Gehäuse vergessen wurden. Der Computer muß geschüttelt und auf Klappergeräusche geprüft werden. Metallteile oder-splitter können Kurzschlüsse erzeugen.



## VORSICHT

Die Bereitschaftsbatterie, die sich unter dem Diskettenlaufwerk befindet, kann geringe Mengen Nickel und Cadmium enthalten. Sie darf nur durch die Verkaufsstelle oder den IBM Kundendienst ausgetauscht werden. Sie darf nicht zerlegt, wiederaufgeladen, kurzgeschlossen, oder Feuer oder Wasser ausgesetzt werden. Die Batterie kann schwere Verbrennungen oder Verätzungen verursachen. Bei der Entsorgung die örtlichen Bestimmungen für Sondermüll beachten. Beim Ersetzen der Bereitschafts- oder Systembatterie nur Batterien des Typs verwenden, der in der Ersatzteilliste aufgeführt ist. Der Einsatz falscher Batterien kann zu Entzündung oder Explosion führen.





## VORSICHT

Akkus enthalten geringe Mengen von Nickel. Sie dürfen nicht zerlegt, wiederaufgeladen, kurzgeschlossen, oder Feuer oder Wasser ausgesetzt werden. Bei der Entsorgung die örtlichen Bestimmungen für Sondermüll beachten. Beim Ersetzen der Batterie nur Batterien des Typs verwenden, der in der Ersatzteilliste aufgeführt ist. Der Einsatz falscher Batterien kann zu Entzündung oder Explosion führen.



## VORSICHT

Die Systembatterie ist eine Lithiumbatterie. Sie kann sich entzünden, explodieren oder schwere Verbrennungen hervorrufen. Batterien dieses Typs dürfen nicht aufgeladen, zerlegt, über 100°C erhitzt oder verbrannt werden. Auch darf ihr Inhalt nicht mit Wasser in Verbindung gebracht oder der zur richtigen Polung angebrachte Verbindungsstecker entfernt werden. Bei der Entsorgung die örtlichen Bestimmungen für Sondermüll beachten. Beim Ersetzen der Batterie nur Batterien des Typs verwenden, der in der Ersatzteilliste aufgeführt ist. Der Einsatz falscher Batterien kann zu Entzündung oder Explosion führen.



## VORSICHT

Die Leuchtstoffröhre im LCD-Bildschirm enthält Quecksilber. Bei der Entsorgung die örtlichen Bestimmungen für Sondermüll beachten. Der LCD-Bildschirm besteht aus Glas und kann zerbrechen, wenn er unsachgemäß behandelt wird oder der Computer auf den Boden fällt. Wenn der Bildschirm beschädigt ist und die darin befindliche Flüssigkeit in Kontakt mit Haut und Augen gerät, sollten die betroffenen Stellen mindestens 15 Minuten mit Wasser abgespült und bei Beschwerden anschließend ein Arzt aufgesucht werden.



## VORSICHT

Aus Sicherheitsgründen die Kunststoffabdeckung, die den unteren Teil der Spannungswandlerplatine umgibt, nicht entfernen.



## VORSICHT

Obwohl Hauptbatterien eine niedrige Spannung haben, können sie doch bei Kurzschluß oder Erdung genug Strom abgeben, um brennbare Materialien zu entzünden oder Verletzungen bei Personen hervorzurufen.



## VORSICHT

Wenn ein Austausch der FRU bei laufendem Betrieb nicht erlaubt ist, gehen Sie beim Austausch der FRU wie folgt vor: Schalten Sie den Computer aus, ziehen Sie alle Netzkabel von den Netzsteckdosen ab, entfernen Sie den Akku und ziehen Sie alle miteinander verbundenen Kabel ab.



לפני הפעלת המחשב לאחר החלפת FRU יש לוודא שכל חברגים, הקפיצים, וחלקים קטנים אחרים נמצאים במקומם ואינם חופשיים לזוז בתוך המחשב. כדי לוודא זאת, יש לטלטל את המחשב ולהקשיב לגילוי קולות שקשוק. חלקי או שבבי מתכת עלולים לגרום לקצרים חשמליים.



סוללות המתנה מסוימות מכילות כמות קטנה של ניקל וקדמיום. אין לפרק סוללת המתנה, לטעון אותה מחדש, להשליך אותה לאש או למים או לקצר אותה. יש לסלק את הסוללה כנדרש על ידי התקנות והחוקים המקומיים. יש להשתמש רק בסוללה המופיעה ברשימת החלקים המתאימה. שימוש בסוללה לא מתאימה עלול לגרום להצתה או התפוצצות של הסוללה.



מארז הסוללה מכיל כמות קטנה של ניקל וקדמיום. אין לפרק את מארז הסוללה, להשליך אותו לאש או למים או לקצר אותו. יש לסלק את מארז הסוללה הסוללה כנדרש על ידי התקנות והחוקים המקומיים. יש להשתמש רק בסוללה המופיעה ברשימת החלקים המתאימה בזמן החלפת מארז הסוללה. שימוש בסוללה לא מתאימה עלול לגרום להצתה או התפוצצות של הסוללה.



סוללת הליתיום עלולה לגרום לשריפה, להתפוצצות או לכוויות קשות. אין לטעון אותה מחדש, לסלק את המחבר המקוטב שלה, לפרק אותה או לחמם אותה לטמפרטורה העולה על 100 מעלות צלזיוס. אין לשרוף את הסוללה ואין לחשוף את תוכן התא למים. יש לסלק את הסוללה כנדרש בתקנות ובחוקים המקומיים. יש להשתמש רק בסוללה המופיעה ברשימת החלקים המתאימים. שימוש בסוללה אחרת עלול לגרום לסיכנת שריפה או התפוצצות.



אם מסך הגביש נוזלי (LCD) נשבר והנוזל מתוך המסך בא במגע עם עיניכם או ידיכם, שטפו את האזורים הנוגעים מיד במים במשך 15 דקות לפחות. פנו לקבלת עזרה רפואית אם תסמינים הנובעים מהמגע עם הנוזל נמשכים לאחר הטיפול.



כדי למנוע התחשמלות, אין להסיר את מכסה הפלסטיק המגן על חלקו התחתון של הכרטיס החפוף.



אף שהסוללות הראשיות הן בעלות מתח נמוך, סוללה מקוצרת או מוארכת עלולה להפיק זרם מספיק לגרימת כוויות או להצתת חומרים דליקים.



אלא אם כן מותרת 'החלפה חמה' של ה-FRU המוחלף, פעלו כדלהלן לפני הסרתו:  
כבו את המחשב, נתקו את כל כבלי החשמל מחשקעים, הוציאו את מארז הסוללות ונתקו את כל הכבלים  
המחוברים.



危険

FRUの交換後、ThinkPadの電源を入れる前に、ねじ、パネ、その他の小さな部品がすべて正しい位置にあり、またThinkPadの内部で緩んでいないことを確認してください。  
これを確認するには、ThinkPadを振って、カチャカチャと音がしないか確かめます。金属部品や金属破片はショートの原因になることがあります。



危険

予備バッテリーの中には少量のニッケルとカドミウムが含まれているものがあります。したがって、予備バッテリーの分解、再充電、火または水の中への投棄、またはショートさせることは決して行わないでください。バッテリーを廃棄する場合は地方自治体の条例に従ってください。適切なパーツ・リストにあるバッテリーだけを使用してください。誤ったバッテリーを使用すると、バッテリーが発火したり、爆発したりすることがあります。



危険

バッテリー・パックには少量のニッケルが含まれています。バッテリー・パックを分解したり、火または水の中に投げ込んだり、ショートさせないでください。バッテリー・パックの廃棄にあたっては、地方自治体の条例または規則に従ってください。バッテリー・パックを交換するときは、適切なパーツ・リストにあるバッテリーだけを使用してください。誤ったバッテリーを使用すると、バッテリーが発火したり、爆発したりすることがあります。



危険

リチウム・バッテリーは、火災、爆発、または重症のやけどを引き起こすことがあります。バックアップ・バッテリーの充電、その極性コネクターの取り外し、バッテリー本体の分解、100°C (212°F) 以上への加熱、焼却、電池の中身を水に浸すことはしないでください。バッテリーを廃棄する場合は地方自治体の条例に従ってください。適切なパーツ・リストにあるバッテリーだけを使用してください。誤ったバッテリーを使用すると、バッテリーが発火したり、爆発したりすることがあります。



危険

LCDが破損し、LCDの中の液体が目に入ったり、手に触れたりした場合は、液体が触れた部分を少なくとも15分間洗い流してください。洗い流した後に、液体によって何らかの症状が現れた場合は、医師の治療を受けてください。



危険

感電を防ぐため、インバーター・カードの下部を保護しているプラスチック・カバーを外さないでください。



危険

메인·배터리의電圧は低くても、ショートしたり、接地したバッテリーが、作業者にやけどを負わせたり、可燃物を燃やすだけの電流を発生させる場合があります。



危険

交換しようとしている FRU がホット・スワップに対応していない場合、それを取り外す前に、コンピューターの電源をオフにし、すべての電源コードをコンセントから抜き、バッテリー・パックを取り外して、相互接続しているケーブルをすべて切り離してください。



위험

FRU를 교체하고 나서 컴퓨터 전원을 켜기 전에 모든 나사, 스프링 및 기타 작은 부품들이 올바른 위치에 있는지, 컴퓨터 내부에 단단하게 연결되어 있는지 확인하십시오. 컴퓨터를 흔들어 달각거리는 소리가 나지 않는지 확인하십시오. 금속 부품 또는 금속 조각은 누전을 일으킬 수 있습니다.



위험

일부 보조 배터리에는 소량의 니켈 및 카드뮴이 포함되어 있습니다. 보조 배터리를 분해하거나, 다시 충전하거나, 불 또는 물에 던지거나, 단락시키지 마십시오. 배터리 팩을 폐기할 때에는 해당 지역의 법률 규정을 따르십시오. 배터리 팩을 교체할 때에는 올바른 배터리만 사용하십시오. 올바르지 않은 배터리를 사용하면 배터리가 발화되거나 폭발할 수 있습니다.



위험

배터리 팩에는 소량의 니켈이 포함되어 있습니다. 배터리 팩을 분해하거나, 불 또는 물에 던지거나, 단락시키지 마십시오. 배터리 팩을 폐기할 때에는 해당 지역의 법률 규정을 따르십시오. 배터리 팩을 교체할 때에는 올바른 배터리만 사용하십시오. 올바르지 않은 배터리를 사용하면 배터리가 발화되거나 폭발할 수 있습니다.



위험

리튬 배터리는 화재, 폭발 또는 심각한 화상을 일으킬 수 있습니다. 리튬 배터리를 다시 충전하거나, 극성 커넥터를 제거하거나, 분해하거나, 100C(212F) 이상으로 가열하거나, 소각하거나, 전지 내용물을 물에 노출시키지 마십시오. 배터리를 폐기할 때에는 해당 지역을 법률 규정을 따르십시오. 올바른 배터리만 사용하십시오. 올바르지 않은 배터리를 사용하면 배터리가 발화되거나 폭발할 수 있습니다.



위험

LCD가 파손되어 LCD 내부의 액체가 눈에 들어가거나 손에 묻으면 즉시 깨끗한 물로 15분 이상 닦아 내십시오. 씻은 후에 조금이라도 이상을 느끼면 즉시 병원에 가서 의사의 진찰을 받아야 합니다.



위험

전기적 위험을 방지하려면 인버터 카드의 아래 부분을 보호하는 플라스틱 덮개를 제거하지 마십시오.



기본 배터리의 전압은 낮지만, 단락되거나 접지된 배터리는 화상을 입히기에 충분한 전류와 가연성 물질을 발생시킬 수 있습니다.



FRU 교체 시 Hot Swap이 지원되지 않는 경우, FRU를 제거하기 전에 컴퓨터의 전원을 끄고, 전기 콘센트에서 전원 코드를 분리하고, 배터리를 제거한 후, 연결된 모든 케이블을 분리하십시오.



Antes de encender el sistema despues de sustituir una FRU, compruebe que todos los tornillos, muelles y demás piezas pequeñas se encuentran en su sitio y no se encuentran sueltas dentro del sistema. Compruébelo agitando el sistema y escuchando los posibles ruidos que provocarían. Las piezas metálicas pueden causar cortocircuitos eléctricos.



Algunas baterías de reserva contienen una pequeña cantidad de níquel y cadmio. No las desmonte, ni recargue, ni las eche al fuego o al agua ni las cortocircuite. Deséchelas tal como dispone la normativa local. Utilice sólo baterías que se encuentren en la lista de piezas. La utilización de una batería no apropiada puede provocar la ignición o explosión de la misma.



Las baterías contienen pequeñas cantidades de níquel. No las desmonte, ni recargue, ni las eche al fuego o al agua ni las cortocircuite. Deséchelas tal como dispone la normativa local. Utilice sólo baterías que se encuentren en la lista de piezas al sustituir la batería. La utilización de una batería no apropiada puede provocar la ignición o explosión de la misma.



La batería de repuesto es una batería de litio y puede provocar incendios, explosiones o quemaduras graves. No la recargue, ni quite el conector polarizado, ni la desmonte, ni caliente por encima de los 100°C (212°F), ni la incinere ni exponga el contenido de sus celdas al agua. Deséchela tal como dispone la normativa local.



Si la LCD se rompe y el fluido de su interior entra en contacto con sus ojos o sus manos, lave inmediatamente las áreas afectadas con agua durante 15 minutos como mínimo. Obtenga atención médica si se presenta algún síntoma del fluido después de lavarse.



#### PELIGRO

Para evitar descargas, no quite la cubierta de plástico que rodea la parte baja de la tarjeta invertida.



#### PELIGRO

Aunque las baterías principales tienen un voltaje bajo, una batería cortocircuitada o con contacto a tierra puede producir la corriente suficiente como para quemar material combustible o provocar quemaduras en el personal.



#### PELIGRO

Salvo que se permita el intercambio en caliente para la unidad sustituible localmente, realice lo siguiente antes de extraerla: apague el sistema, desconecte todos los cables de alimentación de las tomas de alimentación eléctrica, extraiga la batería y desconecte los cables de interconexión.



#### 危險

完成 FRU 更換之後，在開啟電腦的電源之前，請確定所有螺絲、彈簧及其他小零件都已歸位，沒有遺留在電腦內部。  
若要確認這一點，請搖晃電腦，聽聽看是否有卡嗒的聲響。  
金屬零件或機械的火花會造成電線短路。



#### 危險

部分備用電池含有微量的鎳和鎘。請勿拆開備用電池、再充電、丟入火或水中，或使其形成短路。請按照當地法令或規定來棄置電池。  
僅限使用零件清單中的電池。使用不適當的電池會導致電池起火或爆炸。



#### 危險

電池套件含有微量的鎳。請勿拆開電池套件、丟入火或水中，或使其形成短路。請按照當地法令或規定來棄置電池套件。  
更換電池套件時，僅限使用零件清單中的電池。使用不適當的電池會導致電池起火或爆炸。



#### 危險

鋰電池會導致起火、爆炸或嚴重燒傷。請勿再充電、拔除其電極接頭、拆開、加熱超過 100°C (212°F)、焚燒，或讓電池組成物浸到水。請按照當地法令或規定來棄置電池。  
僅限使用零件清單中的電池。使用不適當的電池會導致電池起火或爆炸。



危險

如果 LCD 破裂導致 LCD 流出的液體沾到您的眼睛或手，請立即以清水沖洗沾染部位至少 15 分鐘。如果在清洗後出現該液體所造成的任何症狀，請就醫治療。



危險

為避免電擊，請勿拆下轉換卡下面的塑膠護蓋。



危險

雖然主電池的電壓很低，但短路或接地電池所產生的電流，仍足以使人燒傷或使可燃物質起火。



危險

除非 FRU 允許以熱抽換來替換，否則請依下列方式將其移除：將電腦關機，拔除插座上所有電源線，移除電池包，並拔開任何交互連接的線材。

---

## Laser compliance statement (multilingual translations)

The laser compliance statements in this section are provided in the following languages:

- English
- Arabic
- Brazilian Portuguese
- French
- German
- Hebrew
- Japanese
- Korean
- Spanish
- Traditional Chinese



**CAUTION:**

When laser products (such as CD-ROMs, DVD drives, fiber optic devices, or transmitters) are installed, note the following:

- Do not remove the covers. Removing the covers of the laser product could result in exposure to hazardous laser radiation. There are no serviceable parts inside the device.
- Use of controls or adjustments or performance of procedures other than those specified herein might result in hazardous radiation exposure.



**DANGER**

Some laser products contain an embedded Class 3A or Class 3B laser diode. Note the following.

Laser radiation when open. Do not stare into the beam, do not view directly with optical instruments, and avoid direct exposure to the beam.



**تحذير:**

عند تثبيت منتجات الليزر (مثل أقراص CD-ROM أو محركات تشغيل أقراص DVD أو أجهزة الألياف البصرية أو النواقل)، لاحظ ما يلي:

- لا تقم بنزع الغطاء. قد ينتج عن نزع غطاء منتج ليزر التعرض لأشعة ليزر في منتهى الخطورة. لا توجد أجزاء يمكن صيانتها داخل الجهاز.
- قد ينتج عن استخدام مفاتيح أو تنفيذ عمليات ضبط أو إجراءات بطريقة مختلفة عما هو محدد هنا التعرض لأشعة ليزر في منتهى الخطورة.



خطر

تحتوي بعض منتجات الليزر على صمام ثنائي ليزري مضمن من Class 3A أو Class 3B. لاحظ ما يلي. توجد أشعة ليزر عند الفتح. لا تنظر للشعاع ولا تنظر بطريقة مباشرة باستخدام أدوات ضوئية وتجنب التعرض المباشر للشعاع.



**CUIDADO:**

Quando produtos a laser (como CD-ROMs, unidades de DVD, dispositivos de fibra ótica ou transmissores) estão instalados, observe o seguinte:

- Não remova as tampas. A remoção das tampas do produto a laser pode resultar em exposição prejudicial à radiação de laser. Não há peças que permitam manutenção no interior do dispositivo.
- A utilização de controles ou ajustes ou a execução de procedimentos diferentes daqueles especificados aqui pode resultar em exposição perigosa à radiação.

**PERIGO**

Algumas produtos a laser contêm um diodo de laser Classe 3A ou Classe 3B integrado. Observe o seguinte:

Radiação a laser quando aberta. Não olhe diretamente para o feixe a olho nu ou com instrumentos óticos e evite exposição direta ao feixe.

**ATTENTION :**

Si des produits laser (tels que des unités de CD, DVD, à fibre optique ou des émetteurs) sont installés, lisez les informations suivantes :

- Ne retirez pas les carters. En ouvrant le produit laser, vous vous exposez au rayonnement dangereux du laser. Aucune pièce de l'unité n'est réparable.
- Pour éviter tout risque d'exposition au rayon laser, respectez les consignes de réglage et d'utilisation des commandes, ainsi que les procédures décrites dans le présent manuel.

**DANGER**

Certains produits à laser contiennent une diode à laser intégrée de classe 3A ou 3B. Prenez connaissance des informations suivantes.

Rayonnement laser lorsque le carter est ouvert. Evitez toute exposition directe au rayon laser. Evitez de regarder fixement le faisceau ou de l'observer à l'aide d'instruments optiques.



**Vorsicht:**

Bei der Installation von Lasergeräten (wie CD-ROM-Laufwerken, DVD-Laufwerken, Einheiten mit Lichtwellenleitertechnik oder Sendern) Folgendes beachten:

- Die Abdeckungen nicht entfernen. Durch Entfernen der Abdeckungen des Lasergeräts können gefährliche Laserstrahlungen freigesetzt werden. Das Gerät enthält keine zu wartenden Teile.
- Werden Steuerelemente, Einstellungen oder Durchführungen von Prozeduren anders als hier angegeben verwendet, kann gefährliche Laserstrahlung auftreten.



**Gefahr**

Einige Lasergeräte enthalten eine Laserdiode der Klasse 3A oder 3B. Beachten Sie Folgendes:

Laserstrahlung bei geöffneter Verkleidung. Nicht in den Strahl blicken. Keine Lupen oder Spiegel verwenden. Strahlungsbereich meiden.



זהירות:

כאשר מוצרי לייזר (כגון תקליטורים, כונני DVD, התקני סיבים אופטיים או משדרים) מותקנים, שימו לב להנחיות

הבאות:

- אל תסירו את הכיסויים. הסרת הכיסויים של מוצר הלייזר עלולה לגרום לחשיפה מסוכנת לקרינת לייזר. ההתקן אינם כוללים רכיבים להחלפה עצמית.
- שימוש בבקורות ובהתאמות שלא צוינו או ביצוע תהליכים שלא צוינו, יכולים לגרום לחשיפה מסוכנת לקרינה.



סכנה

כמה ממוצרי הלייזר מכילים דיודת לייזר מובנית Class 3A או Class 3B. שימו לב לדברים שלהלן. קיימת פליטת קרני לייזר כאשר המוצר פתוח. אל תביטו ישירות אל הקרן, אל תביטו אל הקרן ישירות דרך אמצעים אופטיים, והימנעו מחשיפה ישירה לקרן.



**警告：**

レーザー製品 (CD-ROM、DVD ドライブ、光ファイバー装置、または送信機など) を取り付ける場合には、以下のことに注意してください。

- カバーを外さないこと。カバーを取り外すと有害なレーザー光を浴びることがあります。この装置の内部には保守が可能な部品はありません。
- 本書で指定された内容以外の、お客様による整備、調整、または手順を行った場合、レーザー放射の危険があります。



**危険**

一部のレーザー製品には、クラス 3A またはクラス 3B のレーザー・ダイオードが組み込まれています。次の点に注意してください。

開けるとレーザー光が放射されます。光線を見つめたり、光学機械を使って直接見たり、光線を直接浴びることは避けてください。



**경고：**

레이저 제품 (CD-ROM, DVD 드라이브, 광섬유 장치 또는 송신기)이 설치되어 있는 경우, 다음과 같은 취급 주의사항을 참고하십시오.

- 덮개를 제거하지 마십시오. 레이저 제품의 덮개를 제거하면 유해한 레이저 복사에 노출될 위험이 있습니다. 장치 내부에는 사용자가 수리할 수 있는 부분이 없습니다.
- 본 내용에서 설명한 이외의 방법으로 드라이브를 조정하거나 제어 또는 작동하는 경우, 해로운 레이저 복사에 노출될 수 있습니다.



**위험**

일부 레이저 제품은 임베디드 클래스 3A 또는 클래스 3B 레이저 다이오드가 포함되어 있습니다. 다음 주의사항을 유의하십시오.

드라이브의 덮개를 열면 전자파가 발생합니다. 광선 또는 광 장치를 직접 보거나 광선에 노출되지 않도록 주의하십시오.



**PRECAUCIÓN:**

Cuando haya instalados productos láser (por ejemplo, unidades de CD-ROM, unidades de DVD, dispositivos de fibra óptica o transmisores), tenga en cuenta lo siguiente:

- No extraiga las cubiertas. La extracción de las cubiertas del producto láser podría producir una exposición a radiación láser peligrosa. No hay ninguna pieza dentro del dispositivo que pueda reparar.
- La utilización de controles, ajustes o la realización de procedimientos diferentes a los especificados puede dar como resultado una exposición peligrosa a radiaciones.



**PELIGRO**

Algunos productos láser contienen un diodo láser de Clase 3A o Clase 3B incorporado. Tenga en cuenta lo siguiente.

Emite radiación láser cuando está abierto. No fije la vista en el rayo, no lo mire directamente con instrumentos ópticos y evite la exposición directa al rayo.



**警告：**

安裝雷射產品（如 CD-ROM、DVD 光碟機、光纖裝置或轉送器）時，請注意下列事項：

- 請勿卸下外蓋。卸下雷射產品的外蓋可能導致曝露於危險的雷射輻射。裝置內沒有可維修的零件。
- 若不遵守本文規定的控制、調整或操作程序，可能會導致危險的輻射外洩。



**危險**

某些雷射產品包含內嵌式 3A 類或 3B 類雷射二極體。這類光碟機的使用者應注意下列聲明。

在開啟光碟機時，會有雷射輻射。請勿直視光束或以光學儀器直接觀看光束，並避免直接暴露在光束中。

---

## Chapter 2. Important service information

This chapter presents the following important service information that applies to all machine types supported by this manual:

- “Strategy for replacing FRUs” on page 23
  - “Strategy for replacing a hard disk drive” on page 24
  - “Important notice for replacing a system board” on page 24
  - “How to use error codes” on page 24
- “Strategy for replacing FRUs for CTO, special bid model, and standard model” on page 24
  - “Product definition” on page 24
  - “FRU identification” on page 25

### Important:

- Advise customers to contact the Lenovo® Customer Support Center if they need any assistance in obtaining or installing any software fixes, drivers, and UEFI BIOS downloads. Telephone numbers for Lenovo Support are available at:  
<http://www.lenovo.com/support/phone>
- System disassembly and reassembly videos that show the FRU removal or replacement procedures for the Lenovo authorized service technicians are available at:  
<http://www.lenovoservicetraining.com/ion/>

---

## Strategy for replacing FRUs

### Before replacing parts:

Make sure that all software fixes, drivers, and UEFI BIOS downloads are installed before you replace any FRUs listed in this manual.

After a system board is replaced, ensure that the latest UEFI BIOS is loaded to the system board before you complete the service action.

To download and install software fixes, drivers, and UEFI BIOS, do the following:

1. Go to  
<http://www.lenovo.com/ThinkPadDrivers> .
2. Click **Download Drivers & Software** and then follow the instructions on the screen to reach the Download Drivers and Software page.
3. Follow the instructions on the screen to download and install the necessary software.

Use the following strategy to prevent unnecessary expense for replacing and servicing FRUs:

- If you are instructed to replace a FRU but the replacement does not correct the problem, reinstall the original FRU before you continue.
- Some computers have both a processor board and a system board. If you are instructed to replace either the processor board or the system board, and replacing one of them does not correct the problem, reinstall that board, and then replace the other one.
- If an adapter or a device consists of more than one FRU, any of the FRUs might be the cause of the error. Before replacing the adapter or device, remove the FRUs, one by one, to see if the symptoms change. Replace only the FRU that changed the symptoms.

## Strategy for replacing a hard disk drive

Always try to run a low-level format operation before replacing a hard disk drive. This will cause all customer data on the hard disk drive to be lost. Be sure that the customer has a current backup of the data before you perform this task.

**Attention:** The drive startup sequence in the computer you are servicing might have been changed. Be extremely careful during write operations such as copying, saving, or formatting. If you select an incorrect drive, data or programs can be overwritten.

## Important notice for replacing a system board

Some components mounted on a system board are very sensitive. Improper handling of a system board can cause damage to those components, and may cause a system malfunction.

**Attention:** When handling a system board:

- Do not drop a system board or apply any excessive force to it.
- Avoid rough handling of any kind.
- Avoid bending a system board and hard pushing to prevent cracking at each Ball Grid Array (BGA) chipset.

## How to use error codes

Use the error codes displayed on the screen to diagnose failures. If more than one error code is displayed, begin the diagnosis with the first error code. Whatever causes the first error code might also cause false error codes. If no error code is displayed, see whether the error symptom is listed in the “Symptom-to-FRU Index” section.

---

## Strategy for replacing FRUs for CTO, special bid model, and standard model

This topic provides information about the model types and FRU identification.

### Product definition

This topic introduces different model types and how to identify each type.

#### Dynamic Configure To Order (CTO)

This model provides the ability for a customer to configure a Lenovo solution from a Web site, and have this configuration sent to fulfillment, where it is built and shipped directly to the customer. The machine label, iBase, and eSupport will load these products as the 4-character MT, 4-character model, and 2-character country code. The model is “CTO1” and the default country code is “WW” (example: 20AACTO1WW).

#### Special bid model

This model is a unique configuration that has been negotiated between Lenovo and the customer. A unique MTM consists of a 4-character MT, a 4-character model, and a numeric 2-character country code is provided to the customer to place orders (example: 20AA000955). The country code assigned is numeric and does not designate a specific country or region. The custom model factsheet for the MTM indicates which country the special-bid MTM is set up for. Special-bid offering is not generally announced.

#### Standard model

Standard models (fixed configuration) are announced and offered to all customers. The MTM portion of the machine label consists of a 4-character MT, a 4-character model, and an alphabetic 2-character country code. The country code assigned is alphabetic and represents a designated country or region (example: 20AA0009UK).

## FRU identification

Use Lenovo eSupport to identify major FRUs, FRU part numbers, and FRU descriptions for a product at an MT - serial number level. Examples of major FRUs are hard disk drive, system board, liquid crystal display (LCD), and memory module.

To identify the major FRUs for a product, do the following:

1. Go to:  
<http://www.lenovo.com/support>
2. Click **Warranty & Services**.
3. Click **Check Warranty Status**.
4. On the Warranty Status Lookup page, click **Parts Lookup**.
5. Type your machine type and serial number, and then click **Submit**.

eSupport also can be used to view the general FRU list for a product.

To get the general FRU list for a product, do the following:

1. Go to:  
<http://www.lenovo.com/support>
2. Click **Parts & Accessories**.
3. Follow the instructions on the screen to select product.
4. Click **Products and Parts Detail**.
5. On the PRODUCT AND PARTS DETAIL page, click the **Parts Detail** tab to view the FRU list.

**Note:** The FRU list is a general list of components and does not contain specific model information.





---

## Chapter 3. General checkout

This chapter presents following information:

- “What to do first” on page 27
- “Checkout guide” on page 28
  - “Lenovo Solution Center” on page 28
  - “Quick test programs” on page 28
  - “UEFI diagnostic program” on page 29
  - “Bootable diagnostic programs” on page 29
- “Power system checkout” on page 30

Some descriptions in this chapter might not apply to your particular computer.

Before you go to the checkout guide, be sure to read the following important notes.

### Important notes:

- **Only certified trained personnel should service the computer.**
- **Before replacing any FRU, read the entire page on removing and replacing FRUs.**
- **When you replace FRUs, it is recommended to use new nylon-coated screws.**
- **Be extremely careful during such write operations as copying, saving, or formatting.** Drives in the computer that you are servicing sequence might have been altered. If you select an incorrect drive, data or programs might be overwritten.
- **Replace a FRU only with another FRU of the correct model.** When you replace a FRU, make sure that the model of the machine and the FRU part number are correct.
- **A FRU should not be replaced because of a single, unreproducible failure.** Single failures can occur for a variety of reasons that have nothing to do with a hardware defect, such as cosmic radiation, ESD, or software errors. Consider replacing a FRU only when a problem recurs. If you suspect that a FRU is defective, clear the error log and run the test again. If the error does not recur, do not replace the FRU.
- **Be careful not to replace a nondefective FRU.**

---

## What to do first

When you return a FRU, you must include the following information in the parts exchange form or parts return form that you attach to it:

1. Name and phone number of service technician
2. Date of service
3. Date on which the machine failed
4. Date of purchase
5. Failure symptoms, error codes appearing on the display, and beep symptoms
6. Procedure index and page number in which the failing FRU was detected
7. Failing FRU name and part number
8. Machine type, model number, and serial number
9. Customer's name and address

**Note:** During the warranty period, the customer may be responsible for repair costs if the computer damage was caused by misuse, accident, modification, unsuitable physical or operating environment, or improper maintenance by the customer. Following is a list of some common items that are not covered under warranty and some symptoms that might indicate that the system was subject to stress beyond normal use.

Before checking problems with the computer, determine whether the damage is covered under the warranty by referring to the following list:

**The following are not covered under warranty:**

- LCD panel cracked from the application of excessive force or from being dropped
- Scratched (cosmetic) parts
- Distortion, deformation, or discoloration of the cosmetic parts
- Plastic parts, latches, pins, or connectors that have been cracked or broken by excessive force
- Damage caused by liquid spilled into the system
- Damage caused by the improper insertion of a PC Card or the installation of an incompatible card
- Improper disc insertion or use of an optical drive
- Diskette drive damage caused by pressure on the diskette drive cover, foreign material in the drive, or the insertion of a diskette with multiple labels
- Damaged or bent diskette eject button
- Fuses blown by attachment of a nonsupported device
- Forgotten computer password (making the computer unusable)
- Sticky keys caused by spilling a liquid onto the keyboard
- Use of an incorrect ac power adapter on laptop products

**The following symptoms might indicate damage caused by nonwarranted activities:**

- Missing parts might be a symptom of unauthorized service or modification.
- Check for obvious damage to a hard disk drive. If the spindle of a hard disk drive becomes noisy, the hard disk drive might have been dropped or subject to excessive force.

---

## Checkout guide

Use the following procedures as a guide in identifying and correcting problems with the ThinkPad notebook computer.

**Note:** The diagnostic tests are intended to test only ThinkPad products. The use of non-ThinkPad products, prototype cards, or modified options can lead to false indications of errors and invalid system responses.

1. Identify the failing symptoms in as much detail as possible.
2. Verify the symptoms. Try to re-create the failure by running the diagnostic test or by repeating the operation.

## Lenovo Solution Center

The Lenovo Solution Center program enables you to troubleshoot and resolve computer problems. It combines diagnostic tests, system information collection, security status, and support information, along with hints and tips for maximum system performance.

The Lenovo Solution Center program is available for download at <http://www.lenovo.com/diags>

To run the Lenovo Solution Center program, go to Control Panel and click **System and Security → Lenovo → System Health and Diagnostics**, and then follow the instructions on the screen.

For more information about the Lenovo Solution Center program, refer to the help information system of the program.

## Quick test programs

You can run quick test programs to troubleshoot and resolve computer problems, especially when the computer does not have the Lenovo Solution Center program installed.

Lenovo provides the following quick test programs:

- **Lenovo Hard Drive Quick Test:** Use this program to troubleshoot and resolve internal storage problems.
- **Lenovo Memory Quick Test:** Use this program to troubleshoot and resolve memory module problems.

The quick test programs are applicable on the following operating systems:

- Microsoft® Windows® 8
- Microsoft Windows 7
- Microsoft Windows XP
- Microsoft Windows Server® 2003
- Microsoft Windows Server 2008

To download and install a quick test program, go to <http://www.lenovo.com/diags> and follow the instructions on the Web site.

To run a test using a quick test program, do the following:

1. Go to the C:\SWTOOLS\ldiag directory.
2. Double-click the gui\_lsc\_lite.exe file.
3. When the **User Account Control** window opens, click **Yes**.
4. Select the device class to be tested.
5. Select the devices to be tested.
6. Select the test to be performed.
7. Follow the instructions on the screen to start the test. When a problem is detected, information messages are displayed. Refer to the messages to troubleshoot the problem.

## UEFI diagnostic program

A UEFI diagnostic program is preinstalled on the computer. It enables you to test memory modules and internal storage devices, view system information, and check and recover bad sectors on internal storage devices.

To run the UEFI diagnostic program, do the following:

1. Turn on the computer. If the computer cannot be turned on, go to “Power system checkout” on page 30, and check the power sources. If an error code is displayed, go to “Symptom-to-FRU index” on page 39 for error code descriptions and troubleshooting hints.
2. When the ThinkPad logo is displayed, repeatedly press and release the F10 key. The main screen of the UEFI diagnostic program is displayed.
3. Follow the instructions on the screen to use the program.

The options on the main screen are as follows:

Table 1. Items on the UEFI main screen

| Tests  | Tools   |
|--|---|
| <ul style="list-style-type: none"><li>• Quick Memory Test</li><li>• Quick Storage Device Test</li><li>• Exit Application</li></ul> | <ul style="list-style-type: none"><li>• System Information</li><li>• Recover Bad Sectors Tool</li></ul> |

## Bootable diagnostic programs

If the computer you are servicing is not installed with the UEFI diagnostic program, you can download a bootable diagnostic program from the Lenovo Support Web site. The bootable diagnostic programs enable you to test computer memory and internal storage devices, view system information, and check and recover the internal storage devices. To use the bootable diagnostic programs, you can create a bootable diagnostic medium on a USB device or CD.

To create a bootable diagnostic medium, do the following:

1. Go to <http://www.lenovo.com/diags>.
2. Click **Lenovo Bootable Diagnostics**.
3. Follow the instructions on the Web site to create a bootable diagnostic medium on a USB device or CD.

To use the diagnostic medium you have created, do one of the following:

- If you have created the bootable diagnostic medium on a USB device, do the following:
  1. Attach the USB device to the computer.
  2. Turn on the computer. If the computer cannot be turned on, go to “Power system checkout” on page 30, and check the power sources. If an error code is displayed, go to “Symptom-to-FRU index” on page 39 for error code descriptions and troubleshooting hints.
  3. When the ThinkPad logo is displayed, repeatedly press and release the F12 key. When the Boot Menu window opens, release the F12 key.
  4. Use the arrow keys to select **USB HDD** and then press Enter. The diagnostic program will be launched automatically.
  5. Follow the instructions on the screen to use the diagnostic program.
- If you have created the bootable diagnostic medium on a CD, do the following:
  1. Turn on the computer. If the computer cannot be turned on, go to “Power system checkout” on page 30, and check the power sources. If an error code is displayed, go to “Symptom-to-FRU index” on page 39 for error code descriptions and troubleshooting hints.
  2. Insert the CD into the optical drive.
  3. Restart the computer.
  4. When the ThinkPad logo is displayed, repeatedly press and release the F12 key. When the Boot Menu window opens, release the F12 key.
  5. Use the arrow keys to select **ATAPI CDx** (x: 0, 1, ...) and then press Enter. The diagnostic program will be launched automatically.
  6. Follow the instructions on the screen to use the diagnostic program.

---

## Power system checkout

To verify a symptom, do the following:

1. Turn off the computer.
2. Remove the battery pack.
3. Connect the ac power adapter.
4. Check that power is supplied when you turn on the computer.
5. Turn off the computer.
6. Disconnect the ac power adapter and install the charged battery pack.
7. Check that the battery pack supplies power when you turn on the computer.

If you suspect a power problem, see the appropriate one of the following power supply checkouts:

- “Checking the ac power adapter” on page 30
- “Checking operational charging” on page 31
- “Checking the battery pack” on page 31
- “Checking the backup battery” on page 32

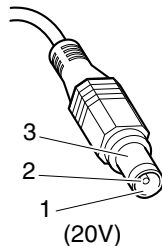
## Checking the ac power adapter

If your computer fails only when the ac power adapter is used, use the instructions in this topic.

- If the power-on indicator does not turn on, check the power cord of the ac power adapter for correct continuity and installation.
- If the computer does not charge during operation, go to “Checking operational charging” on page 31.

To check the ac power adapter, do the following:

1. Unplug the ac power adapter cable from the computer.
2. Measure the output voltage at the plug of the ac power adapter cable. See the following figure:



| Pin | Voltage (V dc) |
|-----|----------------|
| 1   | +20            |
| 2   | 0              |
| 3   | Ground         |

**Note:** Output voltage across pin 2 of the ac power adapter might differ from the one you are servicing.

3. If the voltage is not correct, replace the ac power adapter.
4. If the voltage is acceptable, replace the system board.

**Note:** Noise from the ac power adapter does not always indicate a defect.

## Checking operational charging

To check whether the battery charges correctly during operation, do the following:

**Notes:** Before you begin, install a discharged battery pack or battery pack that less than 50% of the total power remaining in the computer.

1. If the battery status indicator does not turn on, remove the battery pack and let it return to room temperature.
2. Reinstall the battery pack.
3. If the indicator still does not turn on, replace the battery pack.
4. If the indicator still does not turn on, replace the system board. Otherwise, refer to “Checking the battery pack” on page 31 to check the original battery pack.

## Checking the battery pack

The battery status icon in the Windows notification area displays the percentage of battery power remaining.

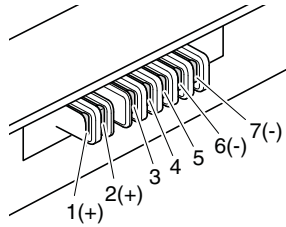
To check for detailed battery status information, do the following:

- For Windows 7: Open the Power Manager program and click the **Battery** tab.
- For Windows 8: Open the Lenovo Support program and click **Battery Health**, or open the Lenovo Settings program and click **Power**.

**Note:** If the battery pack becomes hot, it may not be able to charge. Remove it from the computer and leave it at room temperature for a while. After it cools down, reinstall and recharge it.

To check the battery pack, do the following:

1. Power off the computer.
2. Remove the battery pack and measure the voltage between battery terminals 1 (+) and 7 (-). See the following figure:



| Terminal | Voltage (V dc) |
|----------|----------------|
| 1        | + 0 to + 12.6  |
| 7        | Ground (-)     |

3. If the voltage is less than +11.0 V dc, the battery pack has been discharged.

**Note:** Recharging will take at least 3 hours, even if the indicator does not turn on.

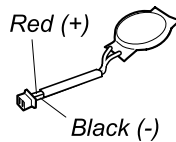
If the voltage is still less than +11.0 V dc after recharging, replace the battery.

4. If the voltage is more than +11.0 V dc, measure the resistance between battery terminals 5 and 7. The resistance must be 4 to 30 K  $\Omega$ . If the resistance is not correct, replace the battery pack. If the resistance is correct, replace the system board.

## Checking the backup battery

Do the following:

1. Power off the computer, and unplug the ac power adapter from it.
2. Turn the computer upside down.
3. Remove the battery pack (see “1010 Battery pack” on page 62).
4. Remove the backup battery (see “1080 Backup battery” on page 70).
5. Measure the voltage of the backup battery. See the following figure.



| Wire  | Voltage (V dc) |
|-------|----------------|
| Red   | +2.5 to +3.2   |
| Black | Ground         |

- If the voltage is correct, replace the system board.
- If the voltage is not correct, replace the backup battery.
- If the backup battery discharges quickly after replacement, replace the system board.

---

## Chapter 4. Related service information

This chapter presents following information:

- “Restoring the factory contents using the recovery disc set” on page 33
- “Using the Windows recovery programs on the Windows 8 operating system” on page 34
- “Passwords” on page 36
- “Power management” on page 38
- “Symptom-to-FRU index” on page 39

### Service Web site:

When the latest maintenance diskette and the system program service diskette become available, they will be posted on <http://www.lenovo.com/support>.

---

## Restoring the factory contents using the recovery disc set

When the main storage drive is replaced because of a failure, no product recovery program is on the new drive. In this case, the customer must use the Recovery Disc Set to recover the computer. Order the Recovery Disc Set and the drive at the same time so that the customer can restore the computer to the factory default settings by using the Recovery Disc Set after the new drive is installed. For information about which discs to order, go to:

<http://www.lenovo.com/serviceparts-lookup>.

Depending on the model, the number of recovery discs included in the Recovery Disc Set differs. To restore the factory contents by using the product Recovery Disc Set, do the following:

### Notes:

- During the recovery process, all data on the drive will be deleted. If possible, copy any important data or personal files that you want to keep onto removable media or a network drive before you start the recovery process..
- The recovery process takes one to two hours to complete. The length of time depends on the method you use. If you use product Recovery Disc Set, the recovery process takes about two hours.
  1. Connect an external CD/DVD drive.
  2. Make the CD/DVD drive the first startup device in the startup sequence using the following procedure:
    - a. Open the ThinkPad Setup program and select **Startup → Boot**.
    - b. Select the CD/DVD drive as the **1st Boot Device**.
  3. Insert the bootable recovery disc into the CD/DVD drive.
  4. Start the computer from the external CD/DVD drive.
  5. When promoted, select your language and click **Next**.
  6. Read the license and accept the terms and conditions. Then follow the instructions on the screen.
  7. If the Recovery Disc Set contains a *Supplemental Recovery Disc*, insert it when prompted and click **Yes**.

**Note:** Not all Recovery Disc Sets come with a Supplemental Recovery Disc. If there is a Supplemental Recovery Disc, it will be clearly marked as such.

8. When all of the data has been copied from the last disc in the set and has been processed, remove the external CD/DVD drive and restart the computer. Follow the instructions on the screen to finish the recovery.

**Note:** The rest of the recovery process is fully automated and no action from you is required. The computer will restart into the Microsoft Windows desktop several times and you might experience periods when no activity is apparent on the screen for several minutes at a time. This is normal.

9. When the recovery process completes, the Welcome to Microsoft Windows screen is displayed. Follow the instructions on the screen to complete the Windows setup.
10. After you have completed the Windows setup, you might want to restore the original startup sequence. Start the ThinkPad Setup program and then press F9 to restore the default settings. Press F10 to save changes and exit the ThinkPad Setup program.

**Note:** After restoring a drive to the factory default settings, you might need to reinstall some device drivers.

---

## Using the Windows recovery programs on the Windows 8 operating system

This section provides information about the recovery solutions for the Windows 8 operating system.

A Windows recovery image is preinstalled in the recovery partition on your computer. The Windows recovery image enables you to refresh your computer, or reset your computer to the factory default settings.

You can create recovery media as backups or replacement for the Windows recovery image. With the recovery media, you can troubleshoot and fix the problems on your computer even if you cannot start the Windows 8 operating system. It is recommended that you create recovery media as early as possible. For more information, see “Using recovery media” on page 32.

### Refreshing the computer

If your computer does not perform well and the problem might be caused by a recently installed program, you can refresh your computer without losing your personal files or changing your settings.

**Attention:** If you refresh your computer, the programs that came with your computer and the programs that you installed from Windows Store will be reinstalled, but all other programs will be removed.

To refresh the computer, do the following:

1. Move your cursor to the bottom-right corner of the screen to bring up the charms. Click **Settings** → **Change PC settings** → **General**.
2. In the **Refresh your PC without affecting your files** section, click **Get started**.
3. Follow the instructions on the screen to refresh your computer.

### Resetting the computer to factory default settings

If you want to recycle your computer or just start over, you can reset your computer to the factory default settings. Resetting the computer will reinstall the operating system, reinstall all the programs that came with your computer, and reset all the settings to the factory default settings.

**Attention:** If you reset the computer to the factory default settings, all your personal files and settings will be deleted. To avoid data loss, make a backup copy of all the data that you want to keep.

To reset your computer, do the following:

1. Move your cursor to the top-right or bottom-right corner of the screen to display the charms. Click **Settings** → **Change PC settings** → **General**.
2. In the **Remove everything and reinstall Windows** section, click **Get started**. Then click **Next** to confirm the operation.
3. Depending on your needs, do one of the following:
  - To perform a quick format, click **Just remove my files** to start the process. The process will take several minutes.



- To perform a complete format, click **Fully clean the drive** to start the process. The process will take several hours.
4. Follow the instructions on the screen to reset your computer to the factory default settings.

### Using the advanced startup options

With the advanced startup options, you can change the firmware settings of the computer, change the startup settings of the Windows operating system, start the computer from an external device, or restore the Windows operating system from a system image.

To use the advanced startup options, do the following:

1. Move your cursor to the top-right or bottom-right corner of the screen to display the charms. Click **Settings → Change PC settings → General**.
2. In the **Advanced startup** section, click **Restart now → Troubleshoot → Advanced options**.
3. Select a desired startup option, then follow the instructions on the screen.

### Recovering your operating system if Windows 8 fails to start

The Windows recovery environment on your computer is capable of operating independently from the Windows 8 operating system. This enables you to recover or repair the operating system even if the Windows 8 operating system fails to start.

After two consecutive failed boot attempts, the Windows recovery environment starts automatically. Then you can choose repair and recovery options by following the instructions on the screen.

**Note:** Ensure that your computer is connected to ac power during the recovery process.

### Creating and using recovery media

You can create recovery media as backups for the Windows recovery environment and the Windows recovery image. If you cannot start the computer, you can use recovery media to troubleshoot and fix the problems on your computer.

It is recommended that you create recovery media as early as possible. Once you create recovery media, keep them in a safe place and do not use them to store other data.

### Creating recovery media

To create recovery media, you need a USB drive with at least 8 GB of storage. The required USB capacity depends on the size of the recovery image.

**Attention:** Creating recovery media will delete anything stored on the USB drive. To avoid data loss, make a backup copy of all the data that you want to keep.

To create recovery media, do the following:

**Note:** Ensure that your computer is connected to ac power.

1. Move your cursor to the top-right or bottom-right corner of the screen to display the charms, and click **Search**.
2. Type recovery in the **Search** field and click **Settings**. Then click **Create a recovery drive**.
3. Click **Yes** in the User Account Control window to allow the Recovery Media Creator program to start.

4. Ensure that you select the **Copy the recovery partition from the PC to the recovery drive.** option. Then click **Next**.

**Important:** If you clear the Copy the recovery partition from the PC to the recovery drive. option, you will create recovery media without the recovery partition content. You still can start the computer from the recovery media, but you might be unable to recover your computer if the recovery partition on your computer is damaged.

5. Connect a proper USB drive then click **Next**.
6. Click **Create** in the Recovery Drive window. The creation of the recovery media starts.
7. When the creation of the recovery media finishes, do one of the following:
  - To keep the recovery partition on your computer, click Finish.
  - To delete the recovery partition on your computer, click **Delete the recovery partition**.

**Attention:** If you delete the recovery partition on your computer, do keep the recovery media in a safe place. The Windows recovery image will not be stored in your computer anymore, and you will need the recovery media to refresh or reset your computer.

8. Remove the USB drive. The recovery media are created successfully.

### Using recovery media

If you cannot start your computer, or if you cannot start the Windows recovery image on your computer, use recovery media to recover your computer.

To use recovery media, do the following:

**Note:** Ensure that your computer is connected to ac power.

1. Turn on or restart the computer. Before the Windows operating system starts, repeatedly press F12. The Boot Menu window opens.
2. Select the recovery drive as the boot device.
3. Select a preferred language and then select a preferred keyboard layout.
4. Click **Troubleshoot** to display the optional recovery solutions.
5. Select a corresponding recovery solution according to your situation. For example, select **Reset your PC** if you want to reset your computer to the factory default settings.

For more information about the recovery solutions provided by the Windows 8 operating system, go to:  
<http://go.microsoft.com/fwlink/?LinkID=263800>

---

## Passwords

As many as three passwords might be needed for a ThinkPad notebook computer: the power-on password, the hard disk password, and the supervisor password.

If any of these passwords has been set, a prompt for it will be displayed on the screen whenever the computer is turned on. The computer does not start until the password is entered.

**Note:** If only a supervisor password is set, the password prompt will not be displayed when the operating system is started.

## Power-on password

A power-on password protects the system from being turned on by an unauthorized person. The password must be entered before the operating system can be started. For instructions on how to remove the power-on password, see “How to remove the power-on password” on page 37.

## Hard disk password

There are two hard disk passwords:

- User hard disk password - for the user
- Master hard disk password - for the system administrator, who can use it to get access to the hard disk even if the user has changed the user hard disk password.

**Note:** There are two modes for the hard disk password: **User only** and **Master + User**. The **Master + User** mode requires two hard disk passwords; the system administrator enters both in the same operation. The system administrator then provides the user hard disk password to the system user.

**Attention:** If the user hard disk password has been forgotten, check whether a master hard disk password has been set. If a master hard disk password has been set, it can be used to access the hard disk drive. If no master hard disk password is available, neither Lenovo nor Lenovo authorized service technicians provide any services to reset either the user hard disk password or the master hard disk password, or to recover data from the hard disk drive. The hard disk drive can be replaced for a scheduled fee.

For instructions on how to remove the hard disk password, see “How to remove the hard disk password” on page 38.

## Supervisor password

A supervisor password protects the system information stored in the ThinkPad Setup program. The user must enter the supervisor password in order to get access to the ThinkPad Setup program and change the system configuration.

**Attention:** If the supervisor password has been forgotten and cannot be made available to the service technician, there is no service procedure to reset the password. The system board must be replaced for a scheduled fee.

## How to remove the power-on password

To remove the power-on password, do one of the following:

If no supervisor password has been set, do the following to remove the power-on password:

1. Turn off the computer.
2. Remove the battery pack. For instructions on how to remove the battery pack, see “1010 Battery pack” on page 62.
3. Remove the backup battery. For instructions on how to remove the backup battery, see “1080 Backup battery” on page 70.
4. Turn on the computer and wait until the POST ends. After the POST ends, the password prompt will not be displayed. The power-on password has been removed.
5. Reinstall the backup battery and the battery pack.

If a supervisor password has been set and is known to the service technician, do the following to remove the power-on password:

1. Turn on the computer.
2. When the ThinkPad logo is displayed, immediately press F1.

3. Type the supervisor password to enter the ThinkPad Setup program.
4. Select **Security**.
5. Select **Password**.
6. Select **Power-On Password**.
7. Type the current supervisor password in the **Enter Current Password** field. Then, leave the **Enter New Password** field blank, and press Enter twice.
8. In the Changes have been saved window, press Enter.
9. Press Fn+F10 to save changes and exit the ThinkPad Setup program.

## How to remove the hard disk password

**Attention:** If **User only** mode is selected and the user hard disk password has been forgotten and cannot be made available to the service technician, neither Lenovo nor Lenovo authorized service technicians provide any services to reset the user hard disk password, or to recover data from the hard disk drive. To put the system back to operational status, the only Lenovo and Lenovo-authorized service solution would be to replace the hard disk drive with a scheduled fee.

To remove a user hard disk password that has been forgotten, when the supervisor password and the master hard disk password are known, do the following:

1. Turn on the computer.
2. When the ThinkPad logo is displayed, immediately press F1 to enter the ThinkPad Setup program.
3. Select **Security**.
4. Select **Password**.
5. Select **Hard disk x password** where *x* is the letter of the hard disk drive. A pop-up window opens.
6. Select **Master HDP**, where HDP stands for hard disk password.
7. Type the current master hard disk password in the **Enter Current Password** field. Then, leave the **Enter New Password** field blank, and press Enter twice.
8. Press Fn+F10 to save changes and exit the ThinkPad Setup program. The user hard disk password and the master hard disk password have been removed.

---

## Power management

To reduce power consumption, the computer has three power management modes: screen blank, sleep, and hibernation.

### Screen blank mode (for the Windows 7 operating system only)

If the time set on the “Turn off monitor” timer in the operating system expires, the LCD backlight turns off.

To put the computer into screen blank mode, do the following:

1. Right-click the battery gauge in the task bar.
2. Select **Power off display (keep current power plan)**.

To end screen blank mode and resume normal operation, press any key.

### Sleep mode

When the computer enters sleep mode, the following events occur in addition to what occurs in screen blank mode:

- The LCD is powered off.
- The hard disk drive is powered off.

- The microprocessor stops.

To cause the computer to return from sleep mode and resume operation, do one of the following:

- Press the Fn key.
- Open the LCD cover.
- Turn on the power button.

Also, in either of the following events, the computer automatically returns from sleep mode and resumes operation:

- The ring indicator (RI) is signaled by a serial device or a PC Card device.
- The time set on the resume timer elapses.

**Note:** The computer does not accept any input immediately after it enters sleep mode. Wait a few seconds before taking any action to reenter operation mode.

## Hibernation mode

In hibernation mode, the following occurs:

- The system status, RAM, VRAM, and setup data are stored on the hard disk drive.
- The system is powered off.

**Note:** If the computer enters the hibernation mode while it is docked to the docking station, do not undock it before resuming normal operation. If you do undock it and then try to resume normal operation, you will get an error message, and you will have to restart the system.

If you have defined one of the following actions as the event that causes the system to go into hibernation mode, perform that action.

- Closing the lid.
- Pressing the power button.

Also, the computer goes into hibernation mode automatically after a period of inactivity specified in power plan settings

When the power is turned on, the computer returns from hibernation mode and resumes operation. The hibernation file in the boot record on the hard disk drive is read, and system status is restored from the hard disk drive.

---

## Symptom-to-FRU index

This section contains following information:

- “Numeric error codes” on page 40
- “Error messages” on page 41
- “No-beep symptoms” on page 42
- “LCD-related symptoms” on page 42
- “Intermittent problems” on page 43
- “Undetermined problems” on page 43

The symptom-to-FRU index in this section lists symptoms and errors and their possible causes. The most likely cause is listed first, in boldface type.

**Note:** Do the FRU replacement or other actions in the sequence shown in the column headed “FRU or action, in sequence.” If replacing a FRU does not solve the problem, put the original part back in the computer. Do not replace a nondefective FRU.

This index can also help you determine, during regular servicing, what FRUs are likely to need to be replaced next.

A numeric error is displayed for each error detected in POST or system operation. In the displays, **n** can be any number.

If no numeric code is displayed, check the narrative descriptions of symptoms. If the symptom is not described there, go to “Intermittent problems” on page 43.

**Note:** For a device not supported by diagnostic codes in the ThinkPad notebooks, see the manual for that device.

## Numeric error codes

Table 2. Numeric error codes

| Symptom or error (beeps, if any)   | FRU or action, in sequence  |
|--|---|
| <b>0177</b><br>Bad SVP data, stop POST task—The checksum of the supervisor password in the EEPROM is not correct.  | <b>Replace the system board.</b>  |
| <b>0183</b><br>Bad CRC of Security Settings in EFI Variable. Enter the ThinkPad Setup program. – The checksum of the Security settings in the EFI Variable is not correct. | <ol style="list-style-type: none"> <li><b>Run the ThinkPad Setup program. The settings will be corrected automatically. Then save the current settings by pressing Fn+F10.</b></li> <li>Replace the system board.</li> </ol>                    |
| <b>0187</b><br>EAIA data access error - The access to EEPROM is failed.  | <b>Replace the system board.</b>  |
| <b>0188</b><br>Invalid RFID Serialization Information Area.  | <b>Replace the system board.</b>  |
| <b>0189</b><br>Invalid RFID configuration information area - The EEPROM checksum is not correct.   | <b>Replace the system board.</b>  |
| <b>0190</b><br>Critical low-battery error  | <ol style="list-style-type: none"> <li><b>Charge the battery pack.</b></li> <li>Replace the battery pack.</li> </ol>  |
| <b>0191</b><br>System Security - Invalid Remote Change requested.  | <ol style="list-style-type: none"> <li><b>Run the ThinkPad Setup program, and then save current setting by pressing Fn+F10.</b></li> <li>Replace the system board.</li> </ol>   |
| <b>0199</b><br>System Security - Security password retry count exceeded.   | <ol style="list-style-type: none"> <li><b>Run the ThinkPad Setup program. The retry count will be reset. Then save the current settings by pressing Fn+F10.</b></li> <li>Replace the system board.</li> </ol>                                   |
| <b>0251</b><br>System CMOS checksum bad - Default configuration used.  | <ol style="list-style-type: none"> <li><b>Charge the backup battery for more than 8 hours by connecting the ac power adapter.</b></li> <li>Replace the backup battery and run the ThinkPad Setup program to reset the time and date.</li> </ol> |
| <b>0253</b><br>EFI Variable Block Data was destroyed.  | <ol style="list-style-type: none"> <li><b>Run ThinkPad Setup to reconfigure the settings.</b></li> <li>Replace the system board.</li> </ol>   |
| <b>0271</b><br>Real-Time Clock Error. Check Date and Time settings.  | <ol style="list-style-type: none"> <li><b>Run ThinkPad Setup to reset the time and date</b></li> <li>Replace the backup battery and run the ThinkPad Setup program to reset the time and date.</li> </ol>                                       |

Table 2. Numeric error codes (continued)

| Symptom or error (beeps, if any)   | FRU or action, in sequence   |
|--|--|
| <b>1802</b><br>Unauthorized network card is plugged in - Turn off and remove the network card. | <ol style="list-style-type: none"> <li>1. <b>Remove the network card.</b></li> <li>2. Replace the system board.</li> </ol>   |
| <b>2000</b><br>ThinkVantage Active Protection sensor diagnostics failed.                       | <b>Have the computer serviced.</b>   |
| <b>2100</b><br>Detection error on HDD0 (Main HDD)  | <ol style="list-style-type: none"> <li>1. <b>Reseat the hard disk drive.</b></li> <li>2. Replace the main hard disk drive.</li> <li>3. Replace the system board.</li> </ol>      |
| <b>2101</b><br>Detection error on HDD1 (Ultrabay HDD)  | <ol style="list-style-type: none"> <li>1. <b>Reseat the hard disk drive.</b></li> <li>2. Replace the Ultrabay® hard disk drive.</li> <li>3. Replace the system board.</li> </ol> |
| <b>2102</b><br>Detection error on HDD2 (Mini SATA)   | <ol style="list-style-type: none"> <li>1. <b>Reseat the Mini SATA device.</b></li> <li>2. Replace the mini SATA device.</li> <li>3. Replace the system board.</li> </ol>         |
| <b>2110</b><br>Read error on HDD0 (Main HDD)   | <ol style="list-style-type: none"> <li>1. <b>Reseat the hard disk drive.</b></li> <li>2. Replace the main hard disk drive.</li> <li>3. Replace the system board.</li> </ol>      |
| <b>2111</b><br>Read error on HDD1 (Ultrabay HDD)   | <ol style="list-style-type: none"> <li>1. <b>Reseat the hard disk drive.</b></li> <li>2. Replace the Ultrabay hard disk drive.</li> <li>3. Replace the system board.</li> </ol>  |
| <b>2112</b><br>Read error on HDD2 (Mini SATA)  | <ol style="list-style-type: none"> <li>1. <b>Reseat the Mini SATA device.</b></li> <li>2. Replace the mini SATA device.</li> <li>3. Replace the system board.</li> </ol>         |
| <b>2200</b><br>Machine Type and Serial Number are invalid.                                     | <b>Replace the system board.</b>   |
| <b>2201</b><br>Machine UUID is invalid.  | <b>Replace the system board.</b>   |

## Error messages

Table 3. Error messages

| Symptom or error (beeps, if any) | FRU or action, in sequence   |
|----------------------------------|--|
| Fan error.                       | <ol style="list-style-type: none"> <li>1. <b>Replace the fan.</b></li> <li>2. Apply thermal grease.</li> <li>3. Replace the system board.</li> </ol> |
| Thermal sensing error            | <b>Replace the system board.</b>   |

Table 3. Error messages (continued)

| Symptom or error (beeps, if any)   | FRU or action, in sequence  |
|--|-----------------------------|
| The battery installed is not supported by this system and will not charge.<br>Please replace the battery with the correct Lenovo battery for this system.<br>Press the ESC key to continue   | <b>Replace the battery.</b> |
| This system does not support batteries that are not genuine Lenovo-made or authorized. The system will continue to boot, but may not charge unauthorized batteries.<br><br><b>Attention:</b> Lenovo has no responsibility for the performance or safety of unauthorized batteries, and provides no warranties for failures or damage arising out of their use. | <b>Replace the battery.</b> |

## Beep symptoms

Table 4. Beep symptoms

| Symptom or error   | FRU or action, in sequence   |
|--|--|
| One short beep, pause, three short beeps, pause, three more short beeps, pause, and one short beep | <ol style="list-style-type: none"> <li><b>Replace the memory module.</b></li> <li>Replace the system board.</li> </ol> |
| Three short beeps, pause, one short beep, pause, one more short beep, pause, and three short beeps | Remove the device from Express Card slot.  |
| One long and two short beeps   | <b>Replace the system board.</b>   |
| Five short beeps   | <b>Replace the system board.</b>   |

## No-beep symptoms

Table 5. No-beep symptoms

| Symptom or error   | FRU or action, in sequence  |
|--|---|
| No beep, power-on indicator on, LCD blank, and no POST.    | <ol style="list-style-type: none"> <li><b>Make sure that every connector is connected tightly and correctly.</b></li> <li>DIMM.</li> <li>System board.</li> </ol> |
| No beep, power-on indicator on, and LCD blank during POST. | <ol style="list-style-type: none"> <li><b>Reseat DIMM.</b></li> <li>System board.</li> </ol>  |
| The power-on password prompt appears.                      | A power-on password or a supervisor password is set. Type the password and press <b>Enter</b> .   |
| The hard disk password prompt appears.                     | A hard disk password is set. Type the password and press <b>Enter</b> .   |

## LCD-related symptoms

**Important:** The TFT LCD for the notebook computer contains many thin-film transistors (TFTs). The presence of a small number of dots that are missing, discolored, or always lighted is characteristic of TFT LCD technology, but excessive pixel problems can cause viewing concerns.



If the LCD you are servicing has two or less visible defective pixels, it should not be considered faulty. However, if the LCD has three or more visible defective pixels, it will be deemed as defective by Lenovo and it should be replaced.

**Notes:**

- Lenovo will not provide warranty replacement if the LCD is within specifications because we cannot guarantee that any replacement LCD will have zero pixel defects.
- This policy applies to all ThinkPad Notebooks purchased on 1 January, 2008 or later.
- One pixel consists of R, G, B sub-pixels.

Table 6. LCD-related symptoms

| Symptom or error  | FRU or action, in sequence  |
|---|---|
| No beep, power-on indicator on, and a blank LCD during POST.  | <b>System board.</b>  |
| <ul style="list-style-type: none"> <li>• LCD backlight not working.</li> <li>• LCD too dark.</li> <li>• LCD brightness cannot be adjusted.</li> <li>• LCD contrast cannot be adjusted.</li> </ul> | <ol style="list-style-type: none"> <li>1. <b>Reseat the LCD connectors.</b></li> <li>2. LCD assembly.</li> <li>3. System board.</li> </ol>  |
| <ul style="list-style-type: none"> <li>• LCD screen unreadable.</li> <li>• Characters missing pixels.</li> <li>• Screen abnormal.</li> <li>• Wrong color displayed.</li> </ul>                    | <ol style="list-style-type: none"> <li>1. <b>See important note for “LCD-related symptoms.”</b></li> <li>2. Reseat all LCD connectors.</li> <li>3. LCD assembly.</li> <li>4. System board.</li> </ol> |
| Horizontal or vertical lines displayed on LCD.  | <b>LCD assembly.</b>  |

## Intermittent problems

Intermittent system hang problems can be due to a variety of causes that have nothing to do with a hardware defect, such as cosmic radiation, ESD, or software errors. FRU replacement should be considered only when a problem recurs.

## Undetermined problems

If the diagnostic tests did not identify the device that has failed, if wrong devices are installed, or if the system simply is not operating, follow these procedures to isolate the failing FRU (do not isolate FRUs that have no defects).

Verify that all attached devices are supported by the computer.

Verify that the power supply being used at the time of the failure is operating correctly. (See “Power system checkout” on page 30)

1. Turn off the computer.
2. Visually check each FRU for damage. Replace any damaged FRU.
3. Remove or disconnect all of the following devices:
  - a. Non-ThinkPad devices
  - b. Printer, mouse, and other external devices
  - c. Battery pack
  - d. Hard disk drive
  - e. External diskette drive or optical drive
  - f. DIMM
  - g. Optical disk or diskette in the internal drive
  - h. PC Cards
4. Turn on the computer.
5. Determine whether the problem has been solved.

6. If the problem does not recur, reconnect the removed devices one at a time until you find the failing FRU.
7. If the problem remains, replace the following FRUs one at a time (do not replace a nondefective FRU):
  - a. System board
  - b. LCD assembly

## Chapter 5. Status indicators

This chapter presents the system status indicators that show the status of the computer.

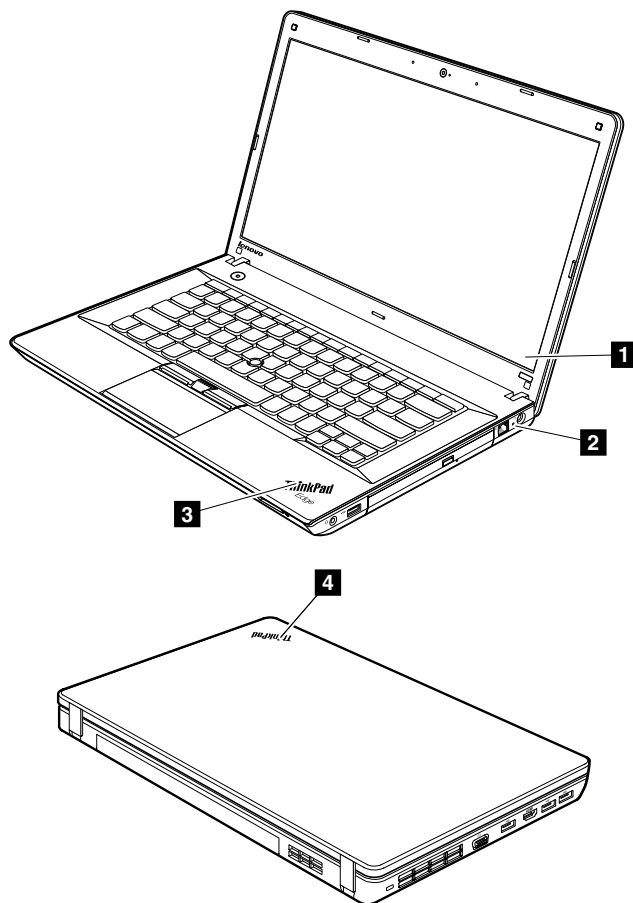





Table 7. Status indicators

| Indicator   | Meaning   |
|---|---|
| <b>1</b> Caps Lock<br>     | When the Caps Lock mode is enabled, the Caps Lock indicator is displayed on the screen. You can type all alphabetic characters (A-Z) in uppercase directly.   |
| <b>2</b> Power status   | <ul style="list-style-type: none"> <li>• <b>Green:</b> The ac power adapter is connected.</li> <li>• <b>Off:</b> The ac power adapter is not connected.</li> </ul>  |
| <b>3</b> System status<br> | The illuminated dot in the ThinkPad logo on the outer lid of the computer and on the palm rest works as a system status indicator: it shows whether the computer is in sleep, hibernation, or normal mode. <ul style="list-style-type: none"> <li>• <b>Red:</b> The computer is on (in normal mode).</li> <li>• <b>Fast blinking red:</b> The computer is entering sleep or hibernation mode.</li> <li>• <b>Slow blinking red:</b> The computer is in sleep mode.</li> <li>• <b>Off:</b> The computer is off or in hibernation mode.</li> </ul> |
| <b>4</b> System status<br> |   |



## Chapter 6. Special keys

The computer comes with several special keys at the upper row of the keyboard. To use each function, directly press the desired key.

The following table explains the function of each special key.

Table 8. Special keys













| Special key   | Description   |
|---|---|
| Speaker mute (F1)<br>                            | If you mute the sound and then turn off the computer, the sound will remain muted when you turn on the computer again. To turn on the sound, press the speaker volume up or speaker volume down key.  |
| Speaker volume down (F2)<br>                     |   |
| Speaker volume up (F3)<br>                       |   |
| Microphone mute (F4)<br>                       | Press the microphone mute key to mute or unmute all of the recording devices.   |
| Change camera and audio settings (F5)<br>      | <ul style="list-style-type: none"> <li>• For Windows 7: Press F5 to open the camera and audio settings window. The camera preview is turned on. Change the camera and audio settings as desired.</li> <li>• For Windows 8: Press F5 to enable or disable the camera.</li> </ul>   |
| Switching the display output location (F6)<br> | Press this key to switch between the computer display and an external monitor. The following options will be displayed: <ul style="list-style-type: none"> <li>• Computer display only (LCD)</li> <li>• Computer display and external monitor (same image)</li> <li>• Computer display and external monitor (the Extend desktop function)</li> <li>• External monitor only</li> </ul> <b>Note:</b> You also can use the Windows+P combination to switch between the computer display and an external monitor. |
| Display brightness down (F7)<br>               | When you press this key, the computer display becomes dimmer. The purpose of this method is to change the brightness level temporarily. To change the default brightness level, use the Power Manager program, or go into <b>Control Panel → Performance and Maintenance → Power Options</b> and make changes as desired.   |
| Display brightness up (F8)<br>                 | When you press this key, the computer display becomes brighter. The purpose of this method is to change the brightness level temporarily. To change the default brightness level, use the Power Manager program, or go into <b>Control Panel → Performance and Maintenance → Power Options</b> and make changes as desired.   |

Table 8. Special keys (continued)

| Special key  | Description   |
|--|---|
| <p>Wireless radio control (F9)</p>  | <p>Press this key to enable or disable the built-in wireless networking features. When you press this key, a list of wireless features is displayed. You can quickly change the state of each feature on the list.</p> <p><b>Notes:</b> If you want to use this button to enable or disable the wireless features, the following device drivers must be installed on your computer beforehand:</p> <ul style="list-style-type: none"> <li>• Power Management driver</li> <li>• OnScreen Display Utility</li> <li>• Wireless device drivers</li> </ul> |
| <p>Previous track/scene (F10)</p>   | <p>Use these keys for multimedia control.</p>   |
| <p>Play/Pause (F11)</p>             |   |
| <p>Next track/scene (F12)</p>       |   |

---

## Chapter 7. Locations

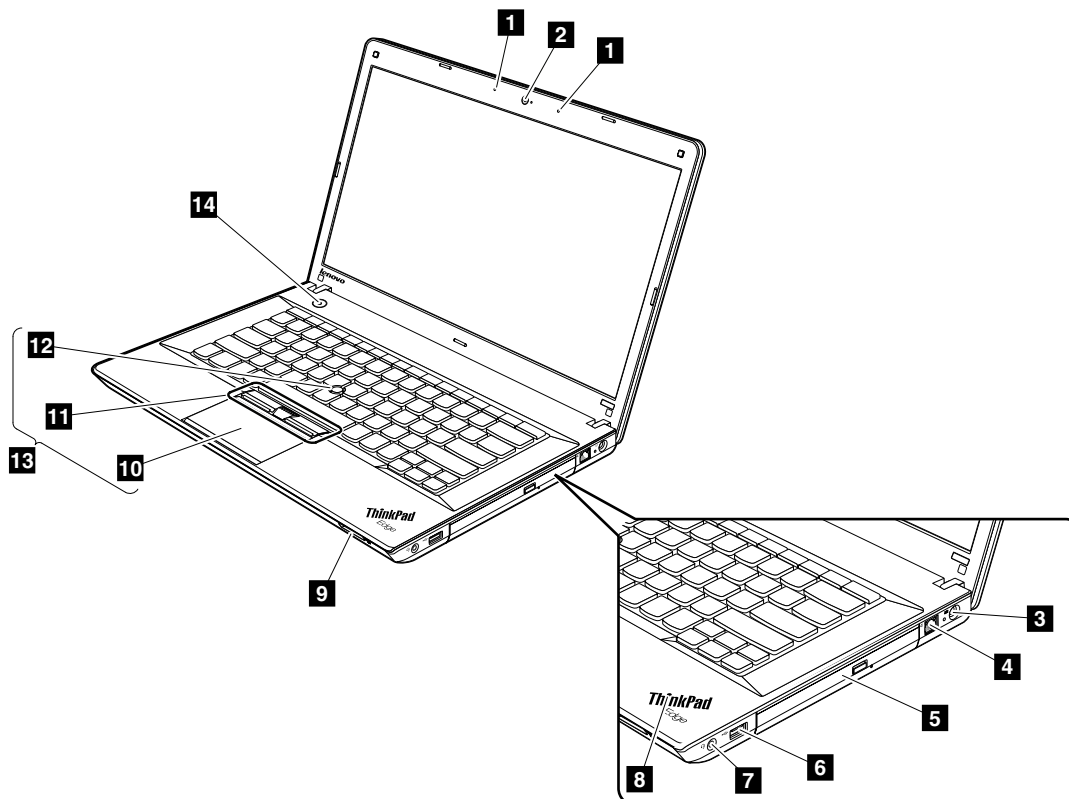
This chapter introduces the locations of the hardware components on ThinkPad Edge E445.

---

### Locating computer controls, connectors, and indicators

This topic introduces the locations of the computer controls, connectors, and indicators.

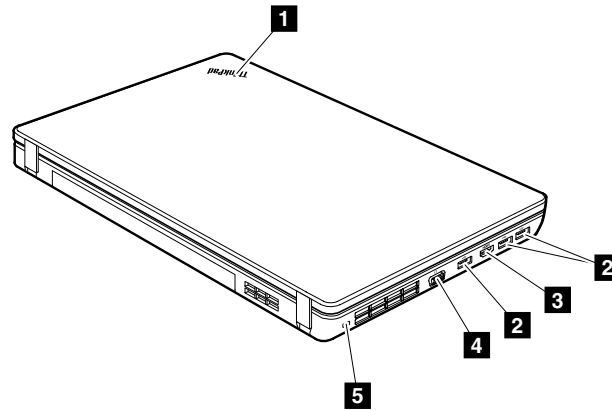
#### Front view



- |                                       |   |
|---------------------------------------|---|
| <b>1</b> Microphones                  | <b>8</b> System status indicator <sup>1</sup> |
| <b>2</b> Camera                       | <b>9</b> Media card reader slot               |
| <b>3</b> ac power connector           | <b>10</b> Touch pad                           |
| <b>4</b> RJ45 Ethernet connector      | <b>11</b> TrackPoint® buttons                 |
| <b>5</b> Optical drive or blank bezel | <b>12</b> TrackPoint pointing stick           |
| <b>6</b> Always On USB connector      | <b>13</b> UltraNav® pointing device           |
| <b>7</b> Combo audio jack             | <b>14</b> Power button                        |

<sup>1</sup>: For the description of the system status indicator, see Chapter 5 “Status indicators” on page 45.

## Rear view



**1** System status indicator<sup>1</sup>

**2** USB connectors

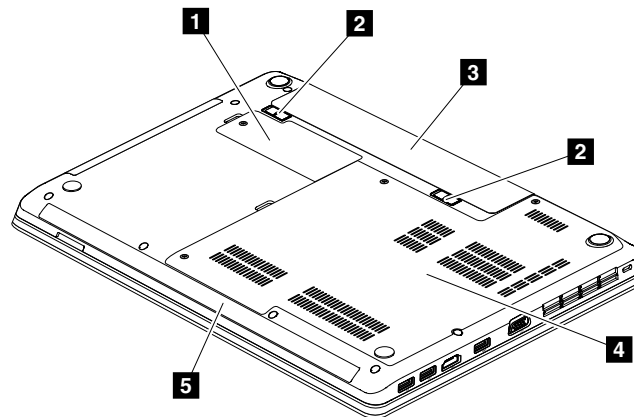
**3** HDMI port

**4** VGA connector

**5** Security-lock slot

<sup>1</sup>: For the description of the system status indicator, see Chapter 5 “Status indicators” on page 45.

## Bottom view



**1** Small bottom cover<sup>1</sup>

**2** Battery pack latches

**3** Battery pack

**4** Large bottom cover<sup>2</sup>

**5** Built-in stereo speakers

<sup>1</sup>: The wireless LAN card is located underneath the small bottom cover.

<sup>2</sup>: The memory modules and the hard disk drive are located underneath the bottom slot cover.

---

## Locating FRUs and CRUs

This topic introduces the following service parts:

- “Major FRUs and CRUs” on page 52
- “LCD FRUs and CRUs” on page 54



**Notes:**

- Each FRU is available for all types or models, unless otherwise specified.
- **CRU statement for customers:**

You can resolve some problems with your product with a replacement part you can install yourself, called a “Customer Replaceable Unit” or “CRU.” Some CRUs are designated as self-service CRUs and others are designated as optional-service CRUs. *Installation of self-service CRUs is your responsibility. For optional-service CRUs, you can either install the CRU yourself or you can request that a Service Provider install the CRU according to the warranty service for your product.* If you intend on installing the CRU, Lenovo will ship the CRU to you. CRU information and replacement instructions are shipped with your product and are available from Lenovo at any time upon request. You can find a list of CRUs for your product in this *Hardware Maintenance Manual*. An electronic version of this manual can be found at <http://www.lenovo.com/support>. Click **User Guides & Manuals** and then follow the on-screen instructions to find the manual for your product. You might be required to return the defective CRU. When return is required: (1) return instructions, a prepaid shipping label, and a container will be included with the replacement CRU; and (2) you might be charged for the replacement CRU if Lenovo does not receive the defective CRU within thirty (30) days of your receipt of the replacement CRU. See your Lenovo Limited Warranty documentation for full details.

ThinkPad computers contain the following types of CRUs:

- **Self-service CRUs:** These CRUs unplug or are held by no more than two screws. Examples of these types of CRUs include the ac power adapter, power cord, battery, and hard disk drive. Other self-service CRUs depending on product design might include the memory module, wireless card, keyboard, and palm rest with finger print reader and touchpad.
- **Optional-service CRUs:** These CRUs are isolated parts within the computer that are concealed by an access panel that is typically secured by more than two screws. Once the access panel is removed, the specific CRU is visible.

# Major FRUs and CRUs

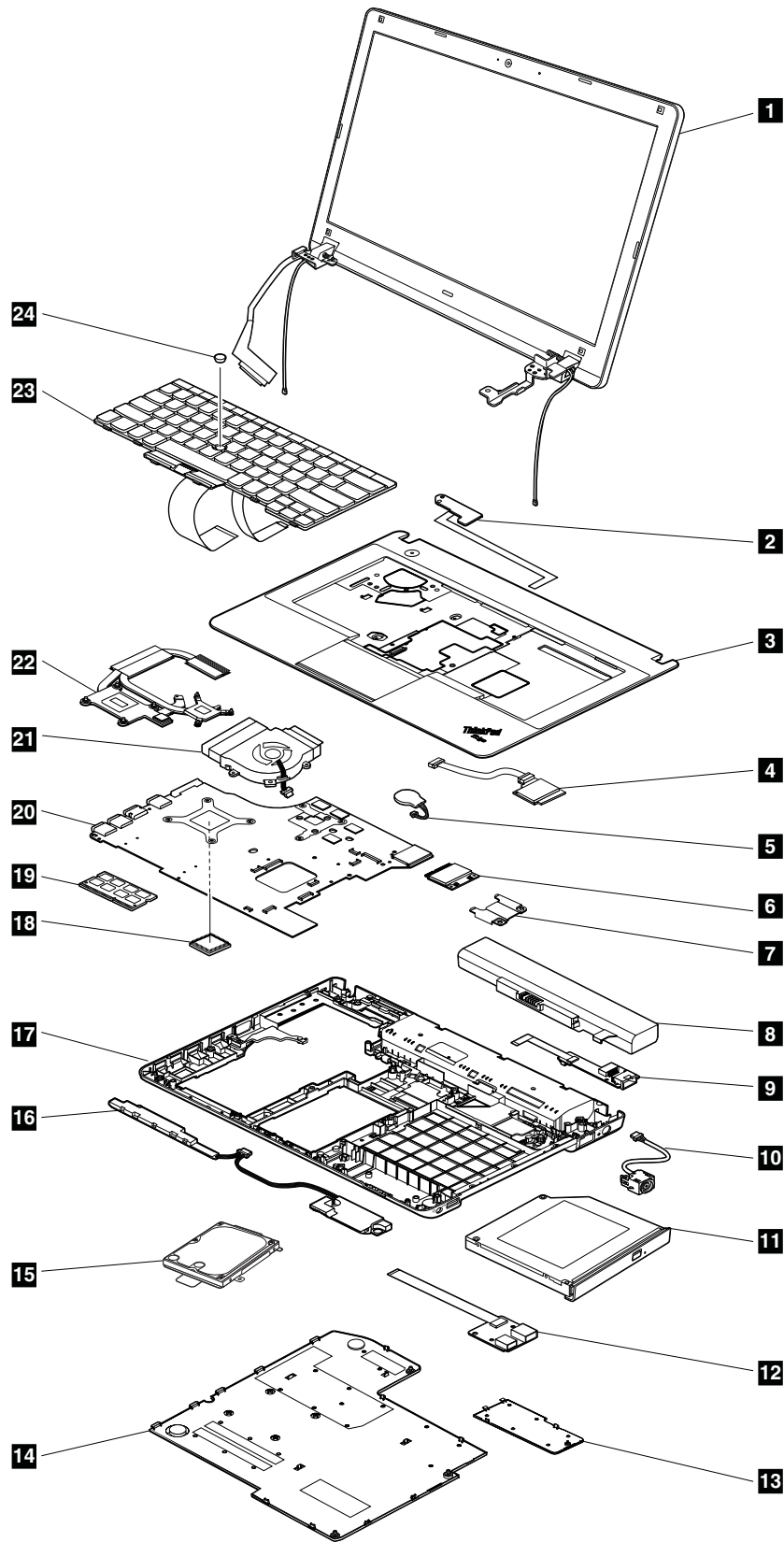


Table 9. Major FRUs and CRUs

| No.       | FRU description                                | Self-service CRU | Optional-service CRU |
|-----------|--|------------------|----------------------|
| <b>1</b>  | LCD unit                                       | No               | No                   |
| <b>2</b>  | Power button sub card                          | No               | No                   |
| <b>3</b>  | Keyboard bezel                                 | No               | No                   |
| <b>4</b>  | Card reader sub card                           | No               | No                   |
| <b>5</b>  | Backup battery                                 | Yes              | No                   |
| <b>6</b>  | Wireless LAN card                              | No               | Yes                  |
| <b>7</b>  | Wireless LAN card bracket                      | No               | Yes                  |
| <b>8</b>  | Battery pack                                   | Yes              | No                   |
| <b>9</b>  | RJ45 sub card                                  | No               | No                   |
| <b>10</b> | DC-in connector                                | No               | No                   |
| <b>11</b> | Optical drive or blank bezel                   | Yes              | No                   |
| <b>12</b> | I/O sub card with USB connector and audio jack | No               | No                   |
| <b>13</b> | Small bottom cover                             | Yes              | No                   |
| <b>14</b> | Large bottom cover                             | Yes              | No                   |
| <b>15</b> | Hard disk drive                                | Yes              | No                   |
| <b>16</b> | Speaker assembly                               | No               | No                   |
| <b>17</b> | Base cover assembly                            | No               | No                   |
| <b>18</b> | Microprocessor                                 | No               | No                   |
| <b>19</b> | Memory module                                  | Yes              | No                   |
| <b>20</b> | System board assembly                          | No               | No                   |
| <b>21</b> | Thermal fan                                    | No               | Yes                  |
| <b>22</b> | Thermal pipes                                  | No               | No                   |
| <b>23</b> | Keyboard                                       | No               | Yes                  |
| <b>24</b> | TrackPoint cap                                 | Yes              | No                   |

# LCD FRUs and CRUs

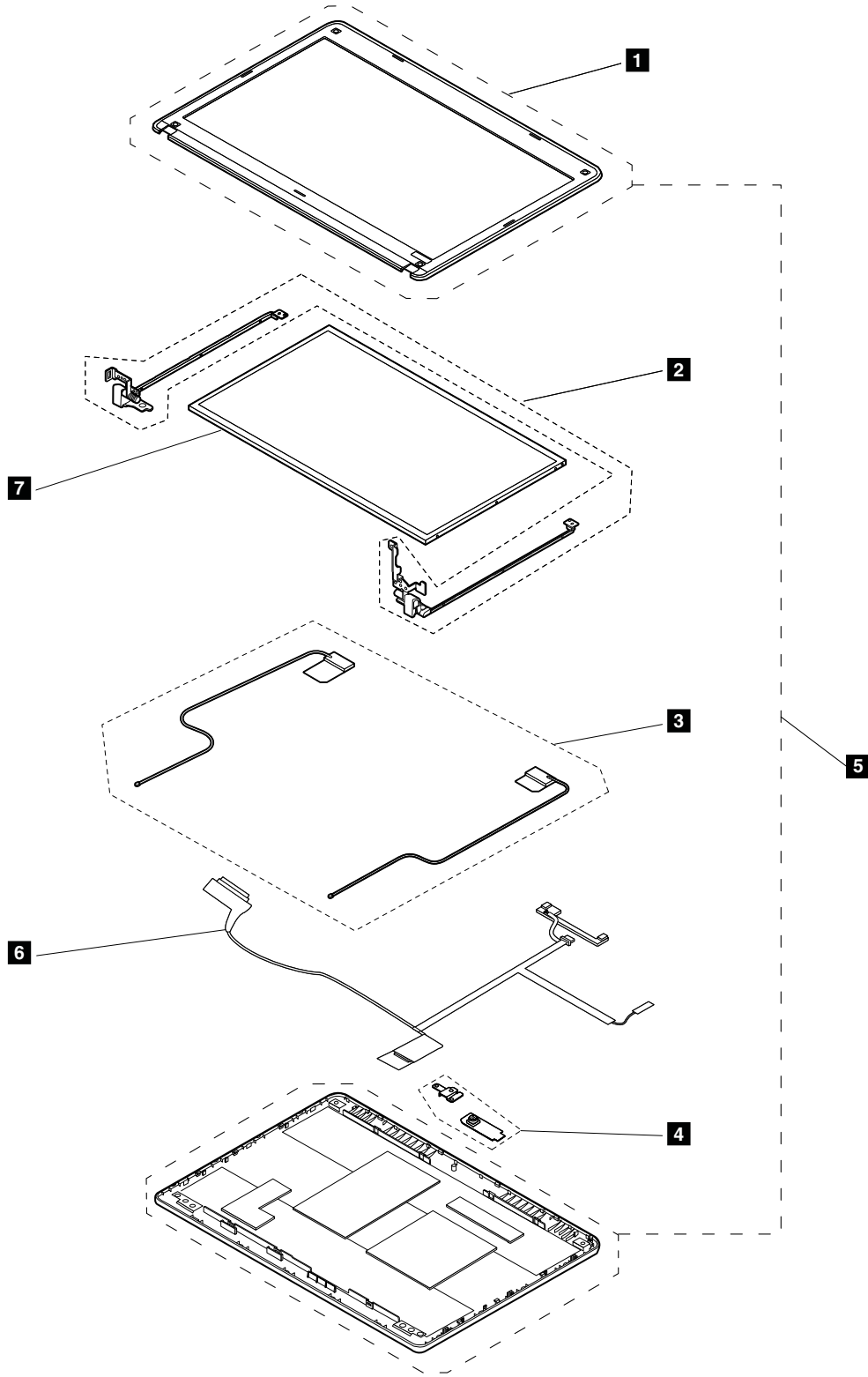


Table 10. LCD FRUs and CRUs

| No.      | FRU description                  | Self-service CRU | Optional-service CRU |
|----------|----------------------------------|------------------|----------------------|
| <b>1</b> | LCD bezel                        | No               | No                   |
| <b>2</b> | Hinges                           | No               | No                   |
| <b>3</b> | Wireless antenna assembly        | No               | No                   |
| <b>4</b> | Camera assembly                  | No               | No                   |
| <b>5</b> | LCD rear cover                   | No               | No                   |
| <b>6</b> | LCD cables with dual microphones | No               | No                   |
| <b>7</b> | LCD panel                        | No               | No                   |

## Miscellaneous parts and other FRUs

Table 11. Miscellaneous parts

| FRU description   | Self-service CRU | Optional-service CRU |
|---|------------------|----------------------|
| Rubber cap LCD:<br><ul style="list-style-type: none"> <li>Rubber screw cap (4)</li> </ul> | No               | No                   |
| Screw kit:<br><ul style="list-style-type: none"> <li>Screw kit</li> </ul>                 | No               | No                   |

Table 12. Other FRUs

| FRU description  | Self-service CRU | Optional-service CRU |
|------------------|------------------|----------------------|
| ac power adapter | Yes              | No                   |
| Power cord       | Yes              | No                   |

---

## Looking up FRU information

For detailed FRU information, including part numbers, descriptions, and substitution part numbers, go to <http://www.lenovo.com/serviceparts-lookup>.



---

## Chapter 8. FRU replacement notices

### CRU statement for customers:

You can resolve some problems with your product with a replacement part you can install yourself, called a “Customer Replaceable Unit” or “CRU.” Some CRUs are designated as self-service CRUs and others are designated as optional-service CRUs. *Installation of self-service CRUs is your responsibility. For optional-service CRUs, you can either install the CRU yourself or you can request that a Service Provider install the CRU according to the warranty service for your product.* If you intend on installing the CRU, Lenovo will ship the CRU to you. CRU information and replacement instructions are shipped with your product and are available from Lenovo at any time upon request. You can find a list of CRUs for your product in this *Hardware Maintenance Manual*. An electronic version of this manual can be found at <http://www.lenovo.com/support>. Click **User Guides & Manuals** and then follow the on-screen instructions to find the manual for your product. You might be required to return the defective CRU. When return is required: (1) return instructions, a prepaid shipping label, and a container will be included with the replacement CRU; and (2) you might be charged for the replacement CRU if Lenovo does not receive the defective CRU within thirty (30) days of your receipt of the replacement CRU. See your Lenovo Limited Warranty documentation for full details.

This chapter presents notices related to removing and replacing parts. Read this chapter carefully before replacing any FRU.

---

### Screw notices

Loose screws can cause a reliability problem. In the ThinkPad notebook computer, this problem is addressed with special nylon-coated screws that have the following characteristics:

- They maintain tight connections.
- They do not easily come loose, even with shock or vibration.
- They are harder to tighten.

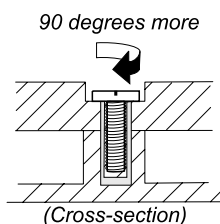
Do the following when you service the computer:

- Keep the screw kit in your tool bag. For the part number of the screw kit, go to <http://www.lenovo.com/serviceparts-lookup>.
- It is recommended to use new screws.
- It is recommended to use each screw only once.
- Use a torque screwdriver if you have one.

Tighten screws as follows:

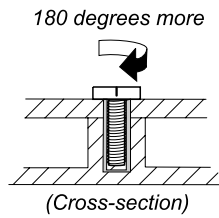
- **Plastic to plastic**

Turn an additional angle of 90 degrees after the screw head touches the surface of the plastic part.



- **Logic card to plastic**

Turn an additional angle of 180 degrees after the screw head touches the surface of the logic card.



#### Notes:

- Make sure that you use the correct screw. It is recommended to use new screws for replacements. If you have a torque screwdriver, tighten all screws firmly to the torque specified in the screw information table for each step.
- Ensure torque screwdrivers are calibrated correctly following country specifications.

---

## Retaining serial numbers

This section includes the following descriptions:

- “Restoring the serial number of the system unit” on page 58
- “Retaining the UUID” on page 59
- “Reading or writing the ECA information” on page 59

## Restoring the serial number of the system unit

When the computer was manufactured, the EEPROM on the system board was loaded with the serial numbers of the system and all major components. These numbers need to remain the same throughout the life of the computer.

If you replace the system board, you must restore the serial number of the system unit to its original value.

Before replacing the system board, save the original serial number by doing the following:

1. Install the latest version of LENOVO ThinkPad Hardware Maintenance Diskette or Maintenance Key, and then restart the computer.
2. From the main menu, select **1. Set system identification**.
3. Turn off the computer, and then turn on the computer again.
4. When the ThinkPad logo is displayed, press Esc.
5. Select **2. Read S/N data from EEPROM** and follow the instructions on the screen. The serial number of each device in your computer is displayed; the serial number of the system unit is listed as follows:
  - 20 Serial number
6. Write down that number.

**Note:** The serial number of the system unit is also written on the label attached to the bottom of the computer.

After you have replaced the system board, restore the serial number by doing the following:

1. Install the latest version of LENOVO ThinkPad Hardware Maintenance Diskette or Maintenance Key, and then restart the computer.
2. From the main menu, select **1. Set system identification**.
3. Turn off the computer, and then turn on the computer again.
4. When the ThinkPad logo is displayed, press Esc.
5. Select **1. Add S/N data from EEPROM**. Follow the instructions on the screen.



If the MTM and Product ID numbers differ from each other on the rear label, use what is shown for the Product ID field. See the following example:

**MTM on the rear label:**

TTTT-CTO1WW S/N SSSSSSSS

**Product ID on the rear label:**

TTTT-MMMMMM (Use this number when setting Serial Number.)

In the example, the Serial Number to be input is “1STTTTMMMMMMSSSSSSSS”.

## Retaining the UUID

The Universally Unique Identifier (UUID) is a 128-bit number uniquely assigned to your computer at production and stored in the EEPROM of your system board.

The algorithm that generates the number is designed to provide unique IDs until the year A.D. 3400. No two computers in the world have the same number.

When you replace the system board, follow the following steps to create new UUID for the system board if the system board does not have a UUID:

1. Install the latest version of LENOVO ThinkPad Hardware Maintenance Diskette or Maintenance Key, and then restart the computer.
2. From the main menu, select **4. Assign UUID**. A new UUID is created and written. If a valid UUID already exists, it is not overwritten.

## Reading or writing the ECA information

Information on Engineering Change Announcements (ECA) are stored in the EEPROM of the system board. The electronic storage of this information simplifies the procedure to check if the ECA has been previously applied to a machine. The machine does not need to be disassembled to check for the ECA application.

To check what ECAs have been previously applied to the machine, use the ECA Information Read/Write function on the LENOVO ThinkPad Hardware Maintenance Diskette or Maintenance Key.

1. Insert the latest version of LENOVO ThinkPad Hardware Maintenance Diskette or Maintenance Key, and then restart the computer.
2. From the main menu, select **6. Set ECA Information**.
3. To read the ECA information, select **2. Read ECA/rework number from EEPROM** and follow the instructions on the screen; To read box build date, select **5. Read box build date from EEPROM**, and follow the instructions on the screen.

After an ECA has been applied to the machine, the EEPROM must be updated to reflect the ECA's application. Use the latest version of LENOVO ThinkPad Hardware Maintenance Diskette or Maintenance Key to update the EEPROM.

**Note:** Only the ECA number is stored in the EEPROM. The machine type of the ECA is assumed to be the same as the machine type of the machine that had the ECA applied to it.

1. Insert the latest version of LENOVO ThinkPad Hardware Maintenance Diskette or Maintenance Key, and then restart the computer.
2. From the main menu, select **6. Set ECA Information**.

3. To write the ECA information, select **1. Write ECA/rework number from EEPROM**, and follow the instruction; To write box build date, select **4. Write box build date from EEPROM**, and follow the instruction on the screen.

If the system board is being replaced, try to read the ECA information from the old system board and transfer the information to the new system. If the system board is inoperable, this will not be possible.

---

## Chapter 9. Removing or replacing a FRU

This chapter provides instructions on how to remove or replace a FRU.

### CRU statement for customers:

You can resolve some problems with your product with a replacement part you can install yourself, called a “Customer Replaceable Unit” or “CRU.” Some CRUs are designated as self-service CRUs and others are designated as optional-service CRUs. *Installation of self-service CRUs is your responsibility. For optional-service CRUs, you can either install the CRU yourself or you can request that a Service Provider install the CRU according to the warranty service for your product.* If you intend on installing the CRU, Lenovo will ship the CRU to you. CRU information and replacement instructions are shipped with your product and are available from Lenovo at any time upon request. You can find a list of CRUs for your product in this *Hardware Maintenance Manual*. An electronic version of this manual can be found at <http://www.lenovo.com/support>. Click **User Guides & Manuals** and then follow the on-screen instructions to find the manual for your product. You might be required to return the defective CRU. When return is required: (1) return instructions, a prepaid shipping label, and a container will be included with the replacement CRU; and (2) you might be charged for the replacement CRU if Lenovo does not receive the defective CRU within thirty (30) days of your receipt of the replacement CRU. See your Lenovo Limited Warranty documentation for full details.

---

### General guidelines

When removing or replacing a FRU, be sure to observe the following general guidelines:

1. Do not try to service any computer unless you have been trained and certified. An untrained person runs the risk of damaging parts.
2. Before replacing any FRU, review Chapter 8 “FRU replacement notices” on page 57.
3. Begin by removing any FRUs that have to be removed before replacing the failing FRU. Any such FRUs are listed at the beginning of each FRU replacement procedure. Remove them in the order in which they are listed.
4. Follow the correct sequence in the steps for removing a FRU, as given in the drawings by the numbers in square callouts.
5. When turning a screw, turn it in the direction as given by the arrow in the drawing.
6. When removing a FRU, move it in the direction as given by the arrow in the drawing.
7. To put the new FRU in place, reverse the removal procedure and follow any notes that pertain to replacement. For information about connecting and arranging internal cables, see Chapter 7 “Locations” on page 49.
8. When replacing a FRU, use the correct screws as shown in the replacement procedure.



### DANGER

**Before removing any FRU, turn off the computer, unplug all power cords from electrical outlets, remove the battery pack, and then disconnect any interconnecting cables.**

**Attention:** After replacing a FRU, do not turn on the computer until you have made sure that all screws, springs, and other small parts are in place and none are loose inside the computer. Verify this by shaking the computer gently and listening for rattling sounds. Metallic parts or metal flakes can cause electrical short circuits.

**Attention:** The system board is sensitive to, and can be damaged by, ESD. Before touching it, establish personal grounding by touching a ground point with one hand or by using an ESD strap.

---

## 1010 Battery pack

### Important notice for replacing a battery pack:

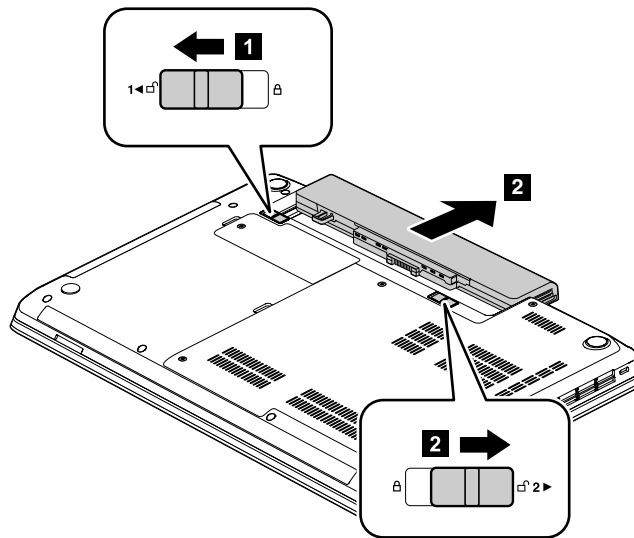
- The Lenovo Solution Center program provides an automatic battery diagnostic test that determines if the battery pack is defective. A battery pack FRU should not be replaced unless this diagnostic test shows that the battery is defective. The only exception to this is if the battery pack is physically damaged or a customer is reporting a possible safety issue.
- If Lenovo Solution Center is not installed in the computer, the customer should download this program before a non-physically damaged battery pack is replaced. Note that a physically damaged battery pack is a non-warranty replacement part.

### Removal steps of the battery pack



**Use only the authorized battery specified for your computer. Any other battery could ignite or explode.**

Unlock the battery latch **1**. Hold the battery lock lever in the unlocked position, and remove the battery pack **2**.



**When installing:** Install the battery pack into the slot. Make sure that the battery latch is in the locked position.

---

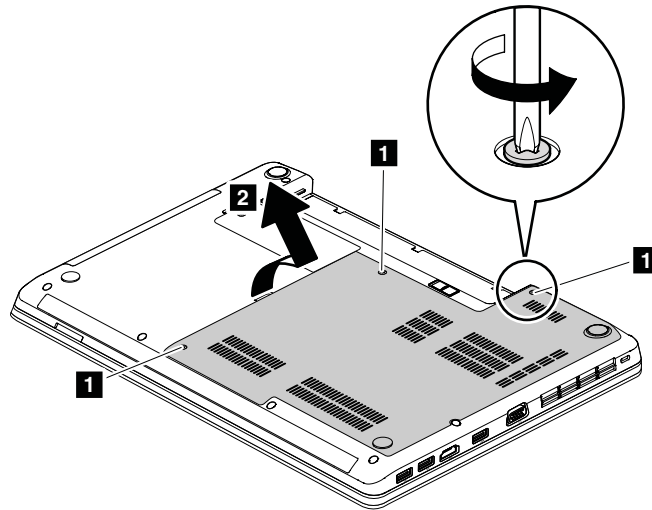
## 1020 Large bottom cover

For access, remove this FRU:

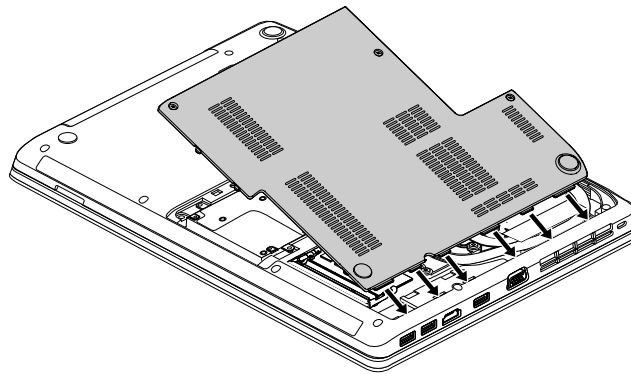
- “1010 Battery pack” on page 62

## Removal steps of the large bottom cover

Loosen the screws **1** and then remove the large bottom cover **2**.



**When installing:** Attach the large bottom cover as shown in the following illustration.



---

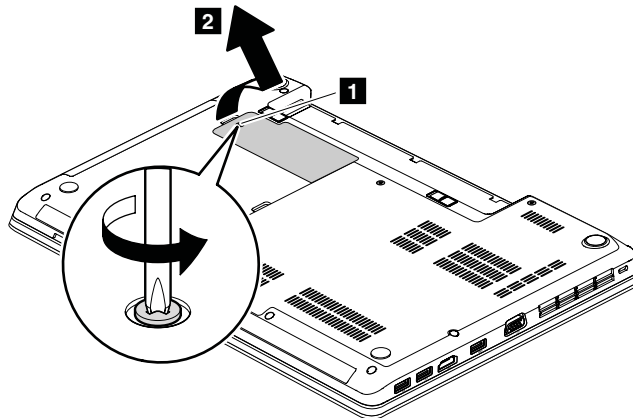
## 1030 Small bottom cover

For access, remove this FRU:

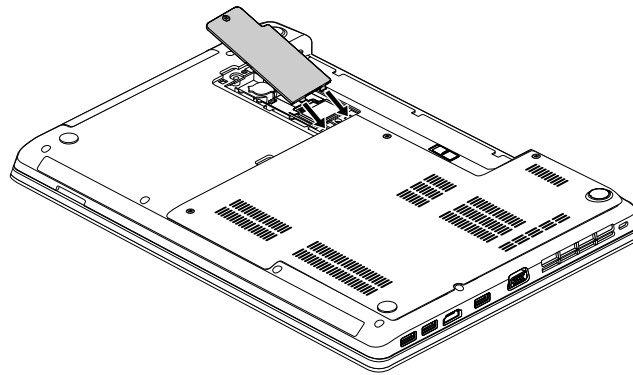
- “1010 Battery pack” on page 62

### Removal steps of the small bottom cover

**Note:** Loosen the screw **1** and then remove the small bottom cover **2**.



**When installing:** Attach the small bottom cover as shown in the following illustration.



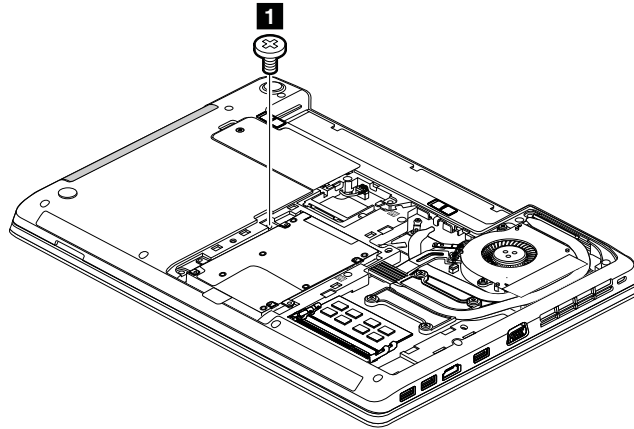
---

## 1040 Optical drive or blank bezel

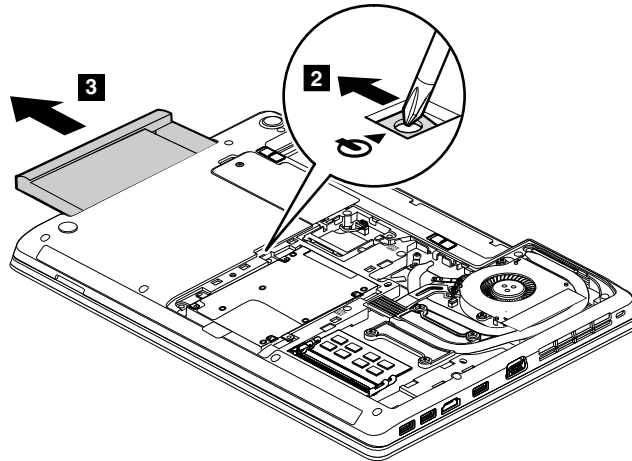
For access, remove these FRUs in order:

- “1010 Battery pack” on page 62
- “1020 Large bottom cover” on page 62

## Removal steps of the optical drive or the blank bezel



| Step | Screw (quantity)                        | Color | Torque                    |
|------|---|-------|---------------------------|
| 1    | M2 × 3 mm, wafer-head, nylon-coated (1) | Black | 0.181 Nm<br>(1.85 kgf-cm) |

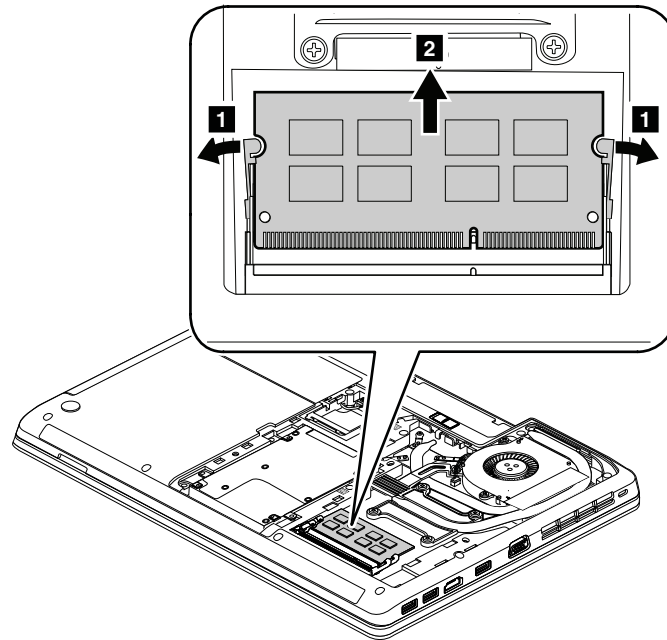


## 1050 Memory modules

For access, remove these FRUs in order:

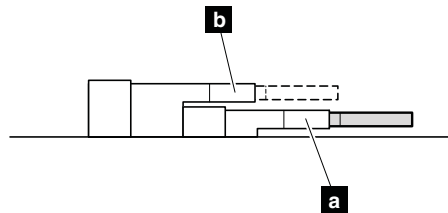
- “1010 Battery pack” on page 62
- “1020 Large bottom cover” on page 62

## Removal steps of memory modules



### When installing:

**Note:** If only one memory module is to be installed on the computer you are servicing, the memory module must be installed in the lower memory slot **a** (SLOT-0), not the upper memory slot **b** (SLOT-1).



Insert the notched end of the memory module into the slot at an angle of about 20 degrees. Press the memory module firmly, and pivot it downwards until it snaps into place. Ensure that the memory module is firmly installed in the slot and does not move easily.

---

## 1060 Hard disk drive assembly

For access, remove these FRUs in order:

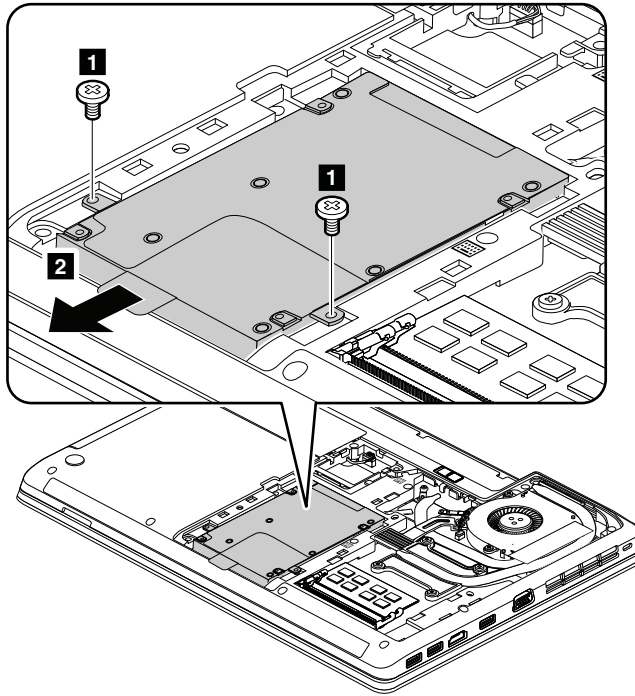
- “1010 Battery pack” on page 62
- “1020 Large bottom cover” on page 62

### Attention:

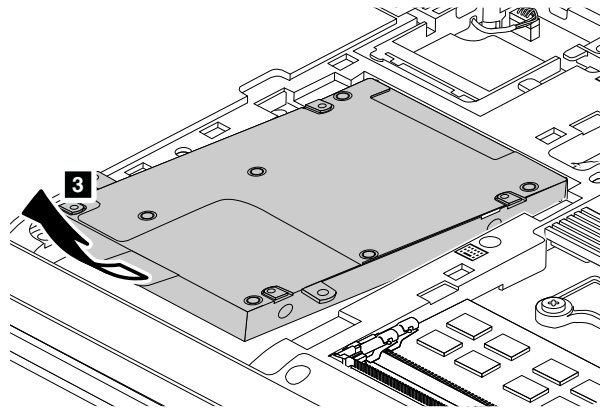
- Do not drop the drive or apply any physical shock to it. The drive is sensitive to physical shock. Improper handling can cause damage and permanent loss of data.
- Before removing the drive, have the user make a backup copy of all the information on it if possible.
- Never remove the drive while the computer is operating or in suspend mode.



## Removal steps of the hard disk drive assembly

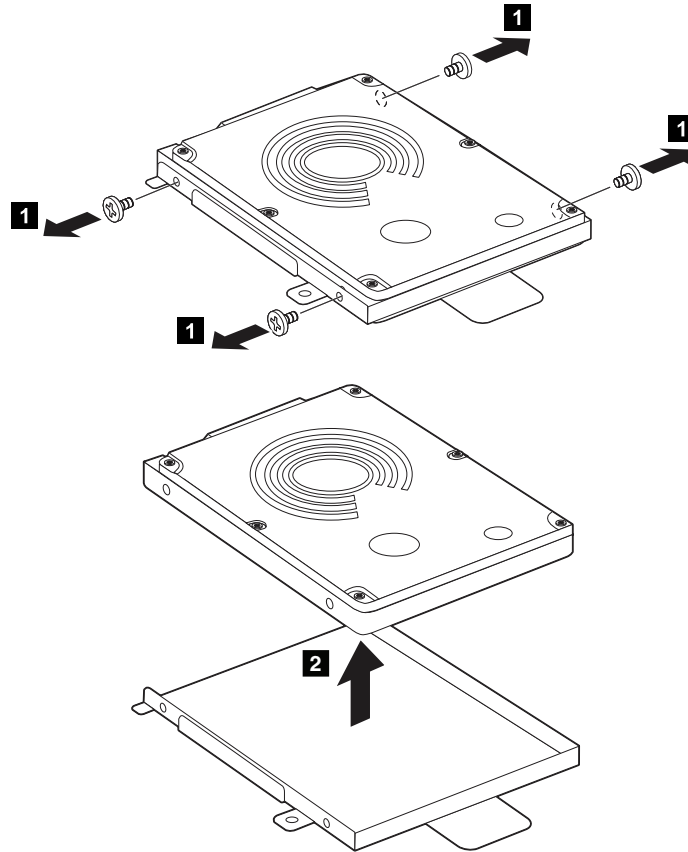


| Step | Screw (quantity)                        | Color | Torque                    |
|------|---|-------|---------------------------|
| 1    | M2 × 3 mm, wafer-head, nylon-coated (2) | Black | 0.181 Nm<br>(1.85 kgf-cm) |



**When installing:** Make sure that the hard disk drive assembly is attached firmly.

## Removal steps of the hard disk drive bracket



| Step | Screw (quantity)                        | Color  | Torque                 |
|------|---|--------|------------------------|
| 1    | M3 × 3 mm, wafer-head, nylon-coated (4) | Silver | 0.392 Nm<br>(4 kgf-cm) |

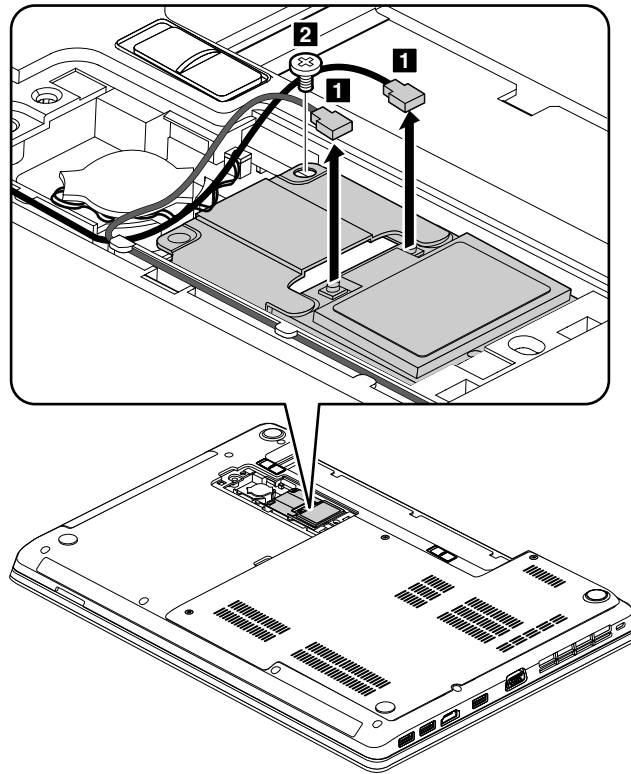
## 1070 PCI Express Mini Card for wireless LAN and wireless LAN card bracket

For access, remove these FRUs in order:

- “1010 Battery pack” on page 62
- “1020 Large bottom cover” on page 62

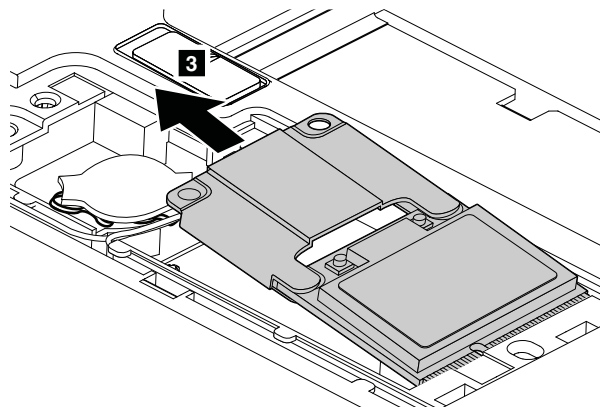
### Removal steps of the PCI Express Mini Card for wireless LAN and the wireless LAN card bracket

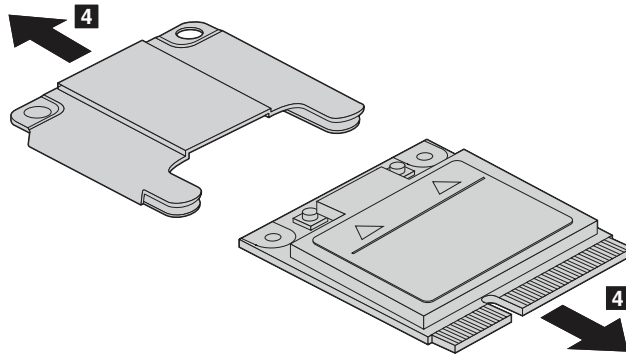
In step **1**, unplug the connectors by using the antenna RF connector removal tool or pick the connectors with your fingers and gently unplug them as shown.



**When installing:** Plug the gray cable into the connector marked **MAIN** or **M**, and the black cable into the connector marked **AUX** or **A** on the card.

| Step     | Screw (quantity)                        | Color | Torque                    |
|----------|---|-------|---------------------------|
| <b>2</b> | M2 × 3 mm, wafer-head, nylon-coated (1) | Black | 0.181 Nm<br>(1.85 kgf-cm) |





## 1080 Backup battery

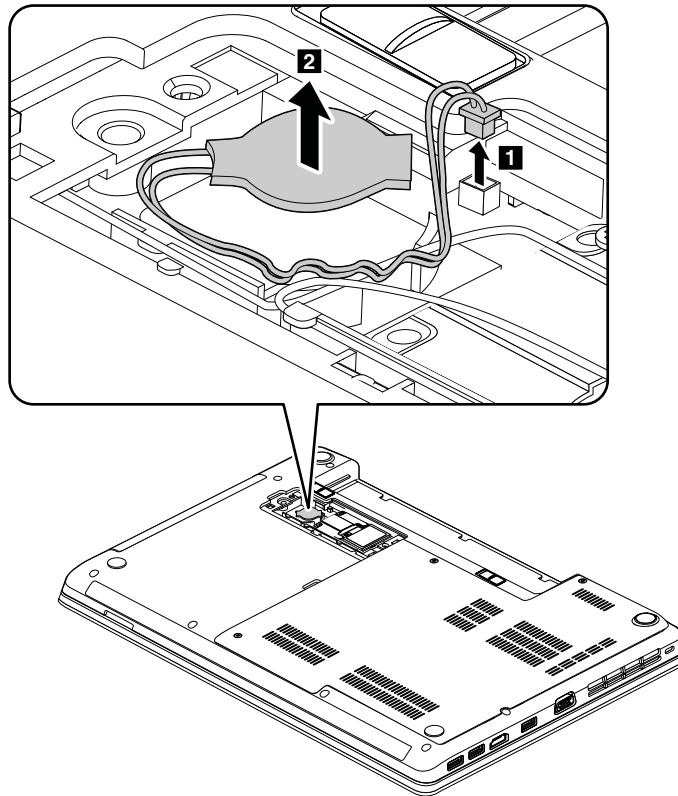
For access, remove these FRUs in order:

- “1010 Battery pack” on page 62
- “1030 Small bottom cover” on page 63

### Removal steps of the backup battery



**Use only the authorized battery specified for your computer. Any other battery could ignite or explode.**



**When installing:** Make sure that the connector is attached firmly.

---

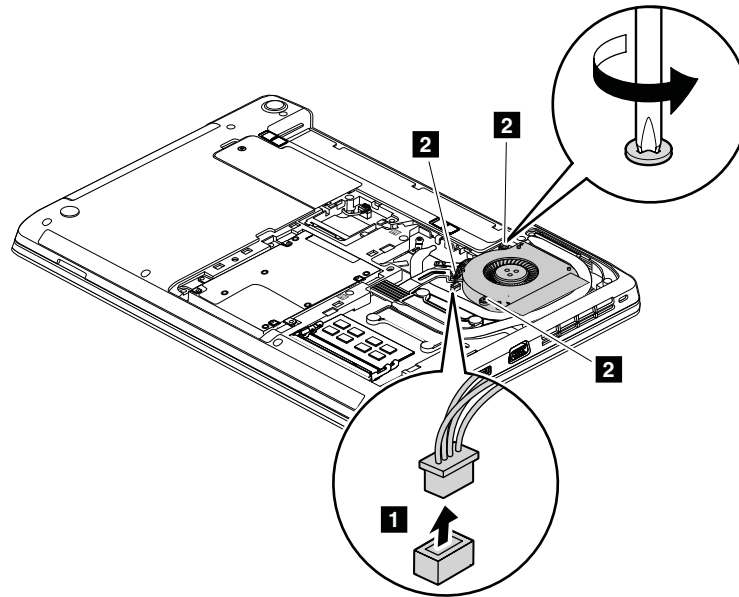
## 1090 Thermal fan

For access, remove these FRUs in order:

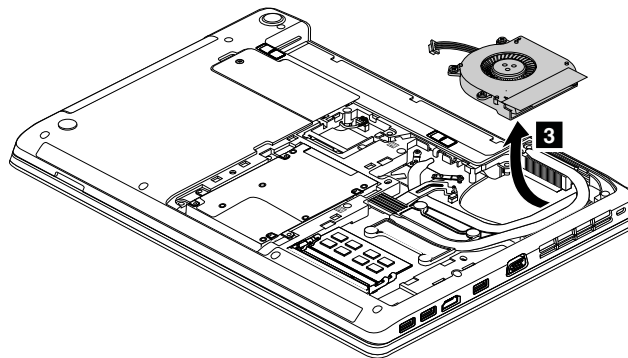
- “1010 Battery pack” on page 62
- “1020 Large bottom cover” on page 62

### Removal steps of the thermal fan

**Note:** Loosen the screws **2**.



**When installing:** Make sure that the connector is attached firmly to the system board.



**When installing:** Do not press the top of the fan cover and the fan hub.

---

## 1100 Thermal pipes

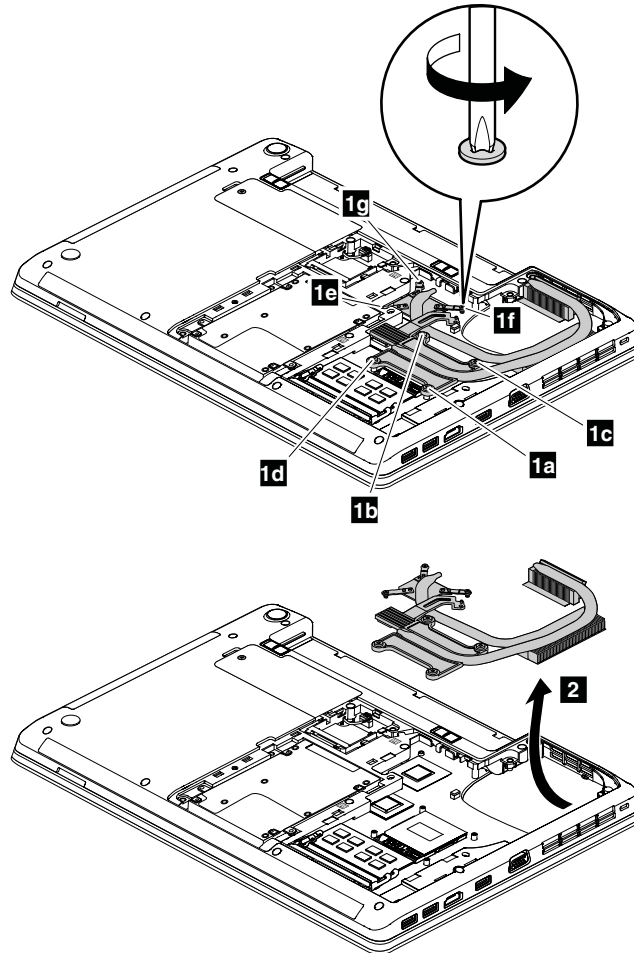
For access, remove these FRUs in order:

- “1010 Battery pack” on page 62
- “1020 Large bottom cover” on page 62
- “1090 Thermal fan” on page 71

## Removal steps of thermal pipes

Loosen the screws **1** in ascending alphabetic order as illustrated. When attaching the thermal pipes, secure the screws in reverse order.

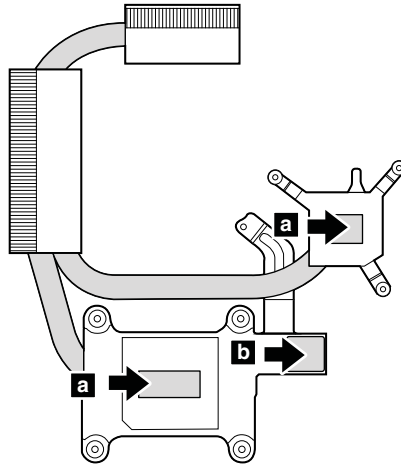
**Note:** Different models might have different numbers of screws.



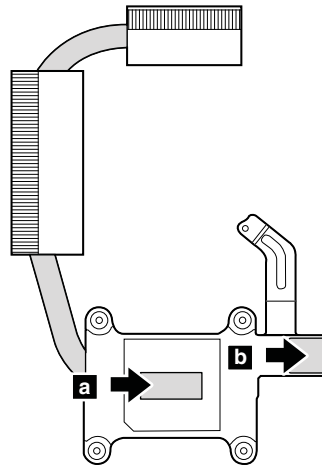
### When installing:

- Always wear fingerstalls when handling the thermal fan assembly. Do not touch or hold any part of the thermal fan or thermal pipes with bare fingers.
- Before you attach the thermal pipes to the computer, apply thermal grease, at an amount of 0.2 grams, on the part marked **a** as shown in the following illustrations. Either too much or too less application of grease can cause a thermal problem due to imperfect contact with a component. You need to peel the thin film off from the rubbers marked **b**.

### For models with a discrete thermal pipes



### For models with an integrated thermal pipes



- Do not touch the thermal grease.
- Do not press, touch, or rotate the fan impeller.
- Do not touch the fan inlet hole.
- Do not twist or pull the cable of the thermal fan assembly.
- Do not apply pressure on the top and bottom covers of the thermal fan assembly.
- Do not press the heat pipe. Hold both sides of the heat pipe if you need to take the thermal fan assembly.
- Do not shake or drop the thermal fan assembly.
- Ensure that the fan connector is attached firmly.
- Replace the thermal fan assembly if you observe the following:
  - The cover of the thermal fan assembly is deformed or damaged.
  - There is abnormal noise during rotation.

---

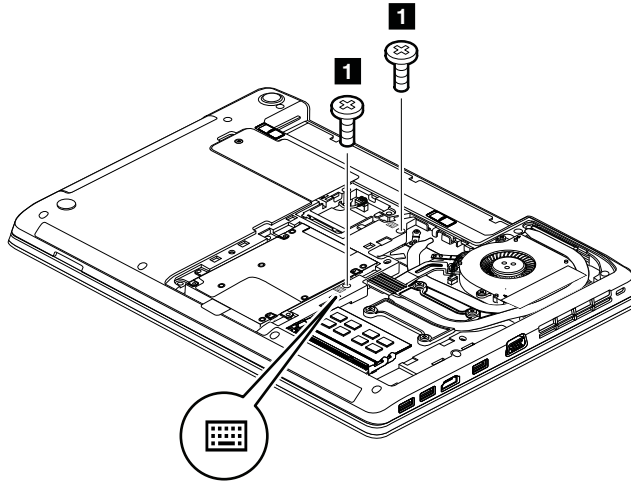
## 1110 Keyboard

For access, remove these FRUs in order:

- “1010 Battery pack” on page 62

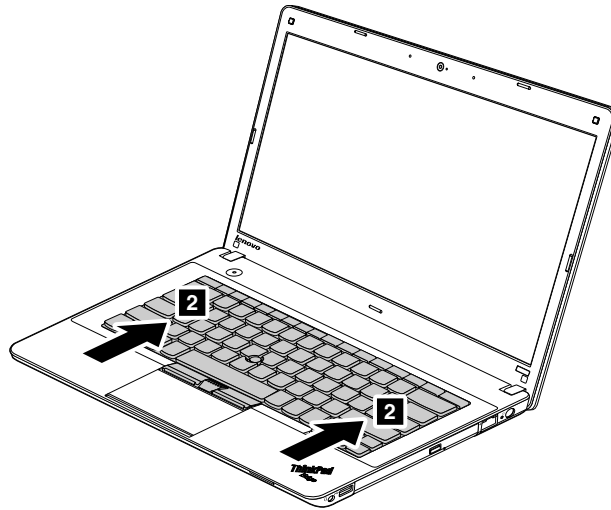
- “1020 Large bottom cover” on page 62

**Removal steps of the keyboard**

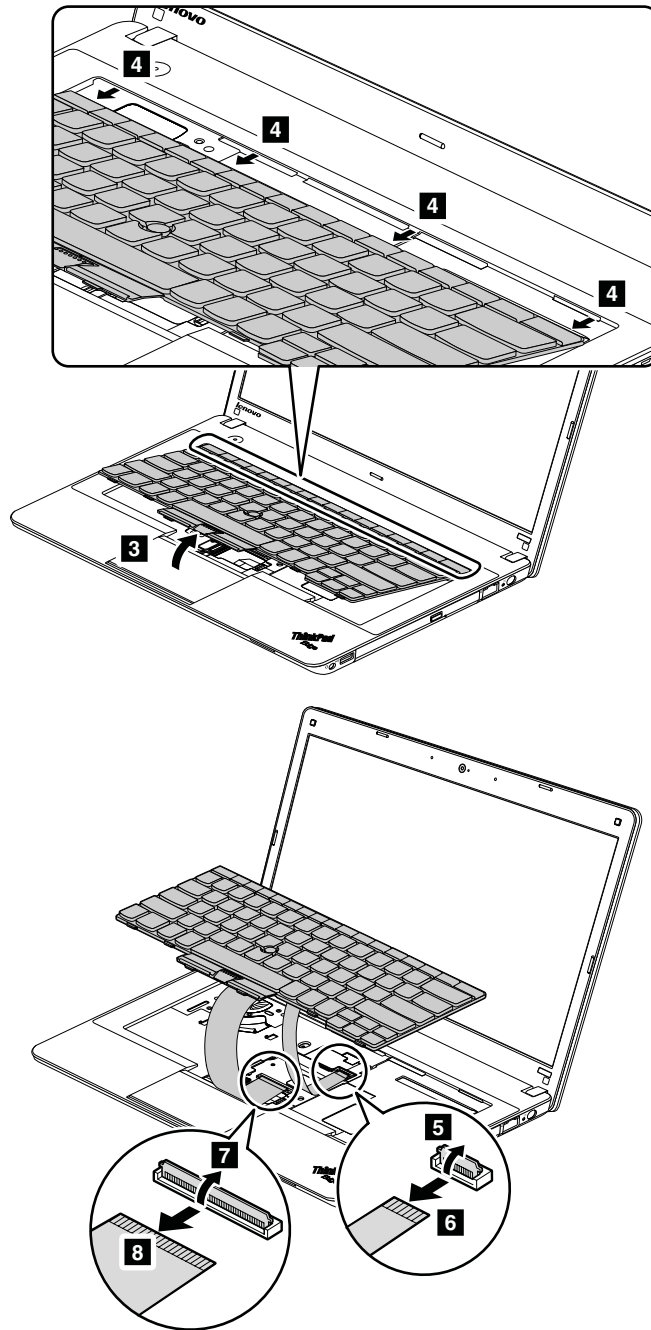


**When installing:** Make sure that the screws are fastened and the keyboard is secured.

| Step     | Screw (quantity)                        | Color | Torque                    |
|----------|---|-------|---------------------------|
| <b>1</b> | M2 × 8 mm, wafer-head, nylon-coated (2) | Black | 0.181 Nm<br>(1.85 kgf-cm) |





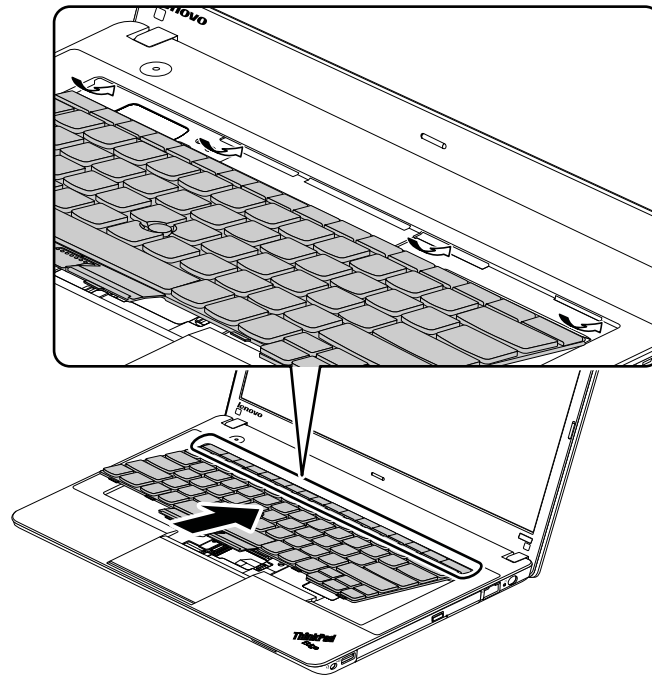


### Installation steps of the keyboard

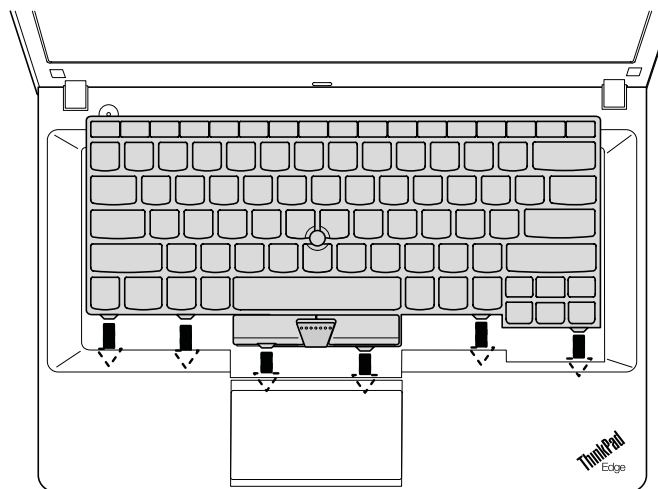
To install the keyboard, do the following:

1. Attach the connectors.

2. Attach the keyboard and ensure that the keyboard edges are under the frame.



3. To make sure that the front side of the keyboard is housed firmly, gently press the keys with your thumbs and slide the keyboard toward you until the keyboard is in place.



4. Secure the keyboard by tightening the screws from the bottom side of the computer.

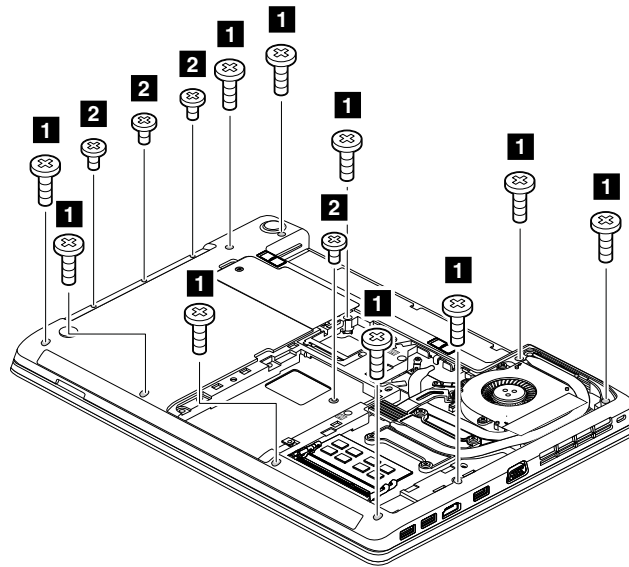
---

## 1120 Keyboard bezel

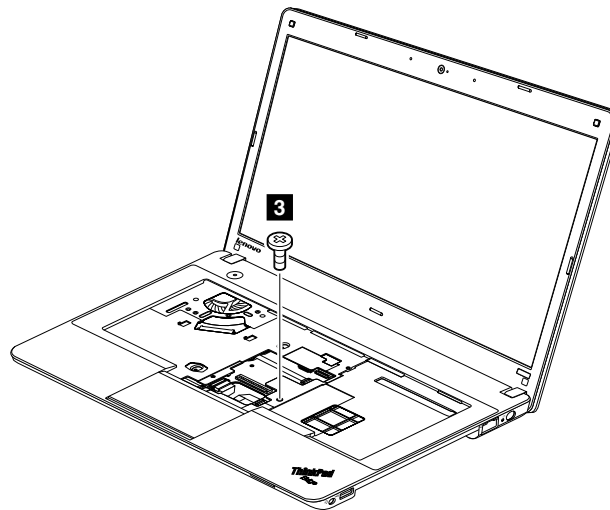
For access, remove these FRUs in order:

- “1010 Battery pack” on page 62
- “1020 Large bottom cover” on page 62
- “1040 Optical drive or blank bezel” on page 64
- “1060 Hard disk drive assembly” on page 66
- “1110 Keyboard” on page 73

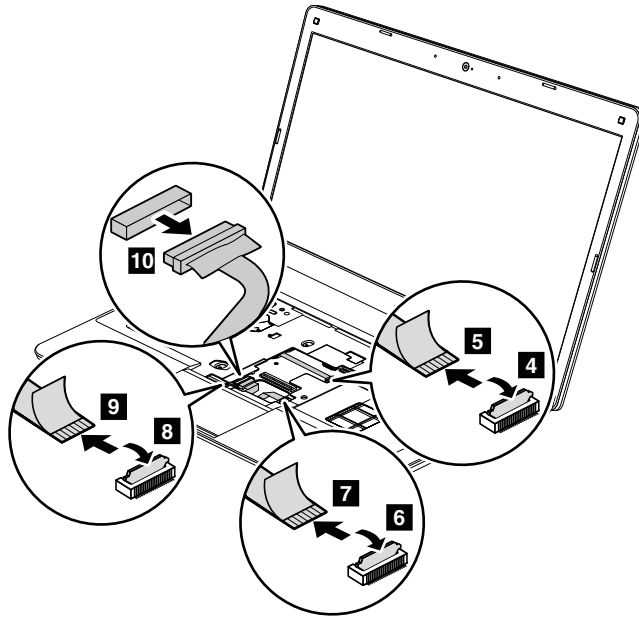
## Removal steps of the keyboard bezel assembly



| Step     | Screw (quantity)                         | Color | Torque                    |
|----------|--|-------|---------------------------|
| <b>1</b> | M2 × 8 mm, wafer-head, nylon-coated (10) | Black | 0.181 Nm<br>(1.85 kgf-cm) |
| <b>2</b> | M2 × 3 mm, wafer-head, nylon-coated (4)  | Black | 0.181 Nm<br>(1.85 kgf-cm) |

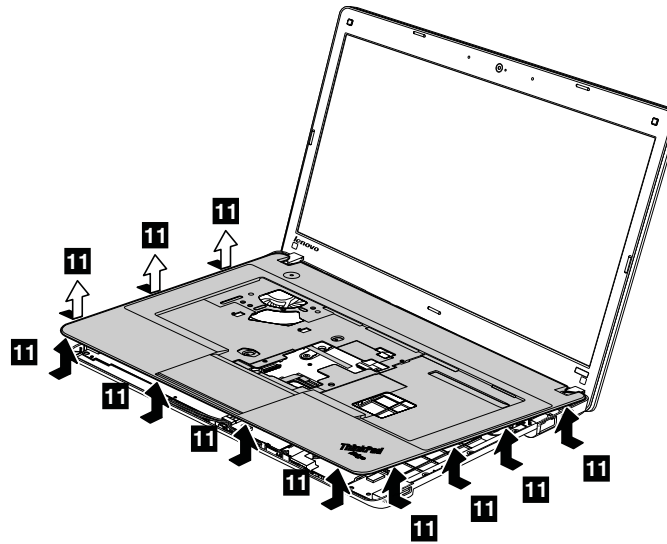


| Step     | Screw (quantity)                        | Color  | Torque                    |
|----------|---|--------|---------------------------|
| <b>3</b> | M2 × 5 mm, wafer-head, nylon-coated (1) | Silver | 0.181 Nm<br>(1.85 kgf-cm) |



**When installing:** Make sure that the connectors are attached firmly to the system board.

In step **11**, release the keyboard bezel from the frame using a plastic pry tool and then completely remove the keyboard bezel.



---

## 1130 Microprocessor

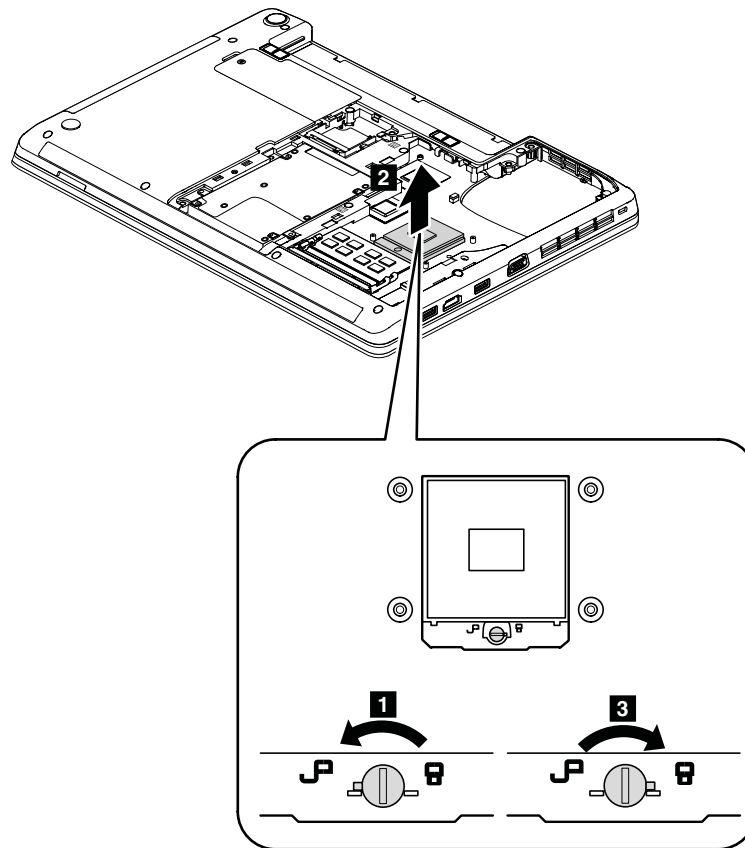
For access, remove these FRUs in order:

- “1010 Battery pack” on page 62
- “1020 Large bottom cover” on page 62
- “1090 Thermal fan” on page 71
- “1100 Thermal pipes” on page 71

**Attention:** The microprocessor is extremely sensitive. When you service the microprocessor, avoid any kind of rough handling.

## Removal steps of the microprocessor

Rotate the head of the screw in the direction shown by the arrow **1** to release the lock; then remove the microprocessor **2**.



**When installing:** Place the microprocessor above the microprocessor socket, and then rotate the head of the screw in the direction shown by the arrow **3** to secure the microprocessor.

## 1140 System board assembly

### Important notices for handling the system board:

When handling the system board, bear the following in mind:

- The system board has an accelerometer, which can be broken if several thousands of G-forces are applied.

**Note:** Dropping a system board from a height of as little as 6 inches so that it falls flat on a hard bench can subject the accelerometer to as much as 6000 G's of shock.

- Be careful not to drop the system board on a bench top that has a hard surface, such as metal, wood, or composite.
- If a system board is dropped, be sure to document the drop in any reject report, and replace the system board.
- Avoid rough handling of any kind.
- At every point in the process, be sure not to drop or stack the system board.
- If you put a system board down, be sure to put it only on a padded surface such as an ESD mat or a corrugated conductive surface.

For access, remove these FRUs in order:

- “1010 Battery pack” on page 62

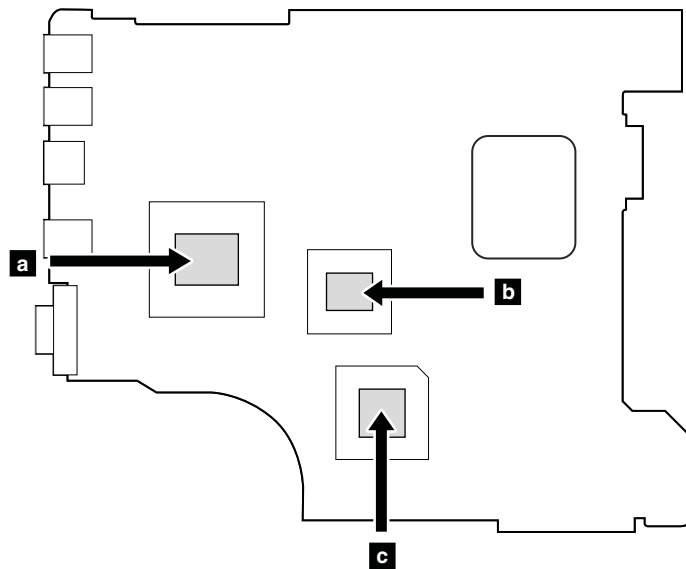
- “1020 Large bottom cover” on page 62
- “1030 Small bottom cover” on page 63
- “1040 Optical drive or blank bezel” on page 64
- “1050 Memory modules” on page 65
- “1060 Hard disk drive assembly” on page 66
- “1070 PCI Express Mini Card for wireless LAN and wireless LAN card bracket” on page 68
- “1080 Backup battery” on page 70
- “1090 Thermal fan” on page 71
- “1100 Thermal pipes” on page 71
- “1110 Keyboard” on page 73
- “1120 Keyboard bezel” on page 76
- “1130 Microprocessor” on page 78

### Removal steps of the system board

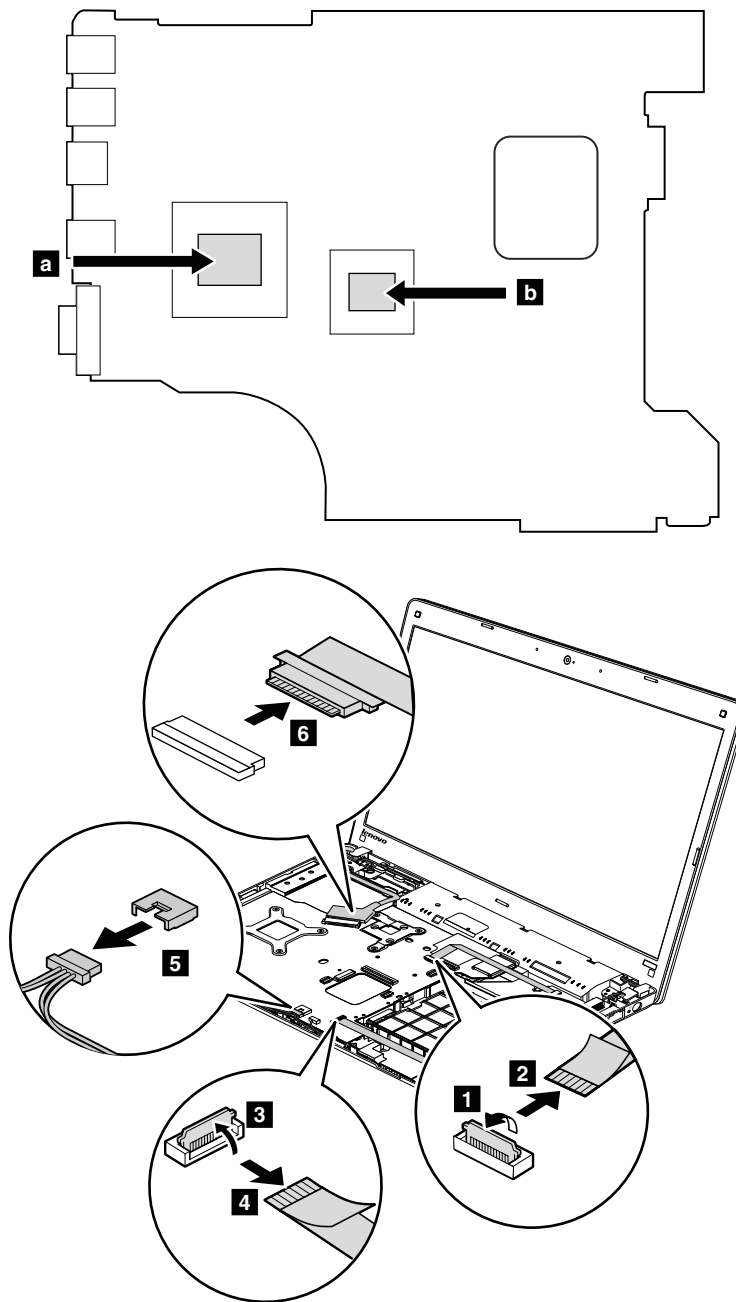
**Attention:** The following components soldered on the top side of the system board are extremely sensitive. When you service the system board, avoid any kind of rough handling.

- a** Microprocessor
- b** Platform Controller Hub (PCH)
- c** Graphics Processing Unit (GPU)

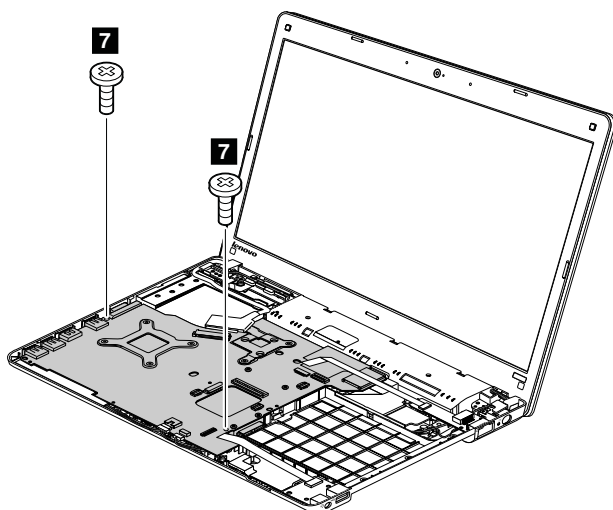
For models with a discrete thermal module



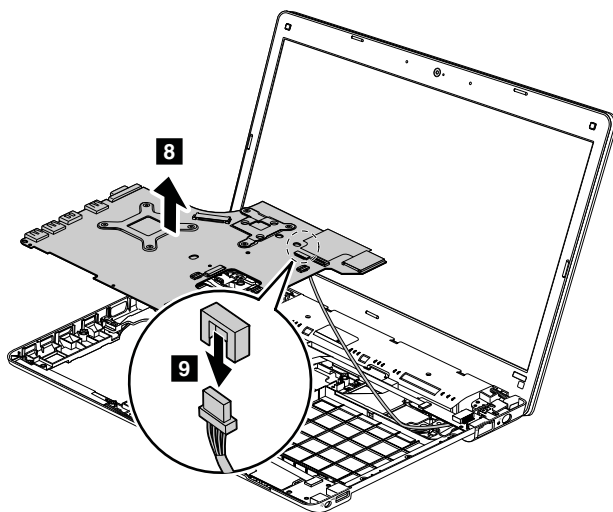
**For models with an integrated thermal module**



**When installing:** Make sure that the connectors are attached firmly to the system board.



| Step | Screw (quantity)                        | Color  | Torque                    |
|------|---|--------|---------------------------|
| 7    | M2 x 5 mm, wafer-head, nylon-coated (2) | Silver | 0.181 Nm<br>(1.85 kgf-cm) |



**When installing:** Make sure that the connector is attached firmly to the system board.

## 1150 Speaker assembly

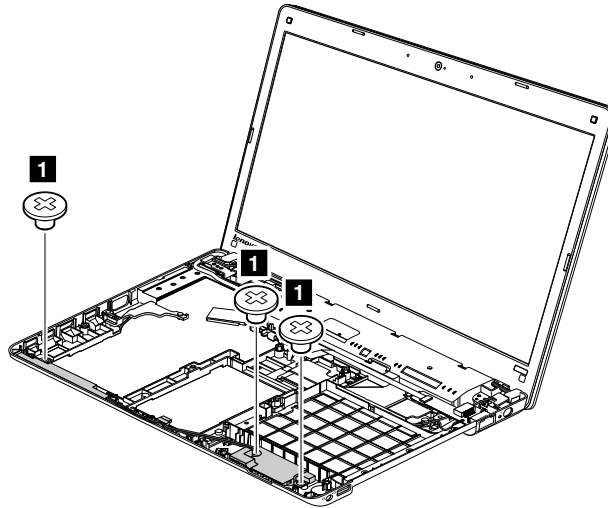
For access, remove these FRUs in order:

- “1010 Battery pack” on page 62
- “1020 Large bottom cover” on page 62
- “1030 Small bottom cover” on page 63
- “1040 Optical drive or blank bezel” on page 64
- “1060 Hard disk drive assembly” on page 66
- “1070 PCI Express Mini Card for wireless LAN and wireless LAN card bracket” on page 68
- “1080 Backup battery” on page 70
- “1090 Thermal fan” on page 71
- “1100 Thermal pipes” on page 71
- “1110 Keyboard” on page 73
- “1120 Keyboard bezel” on page 76

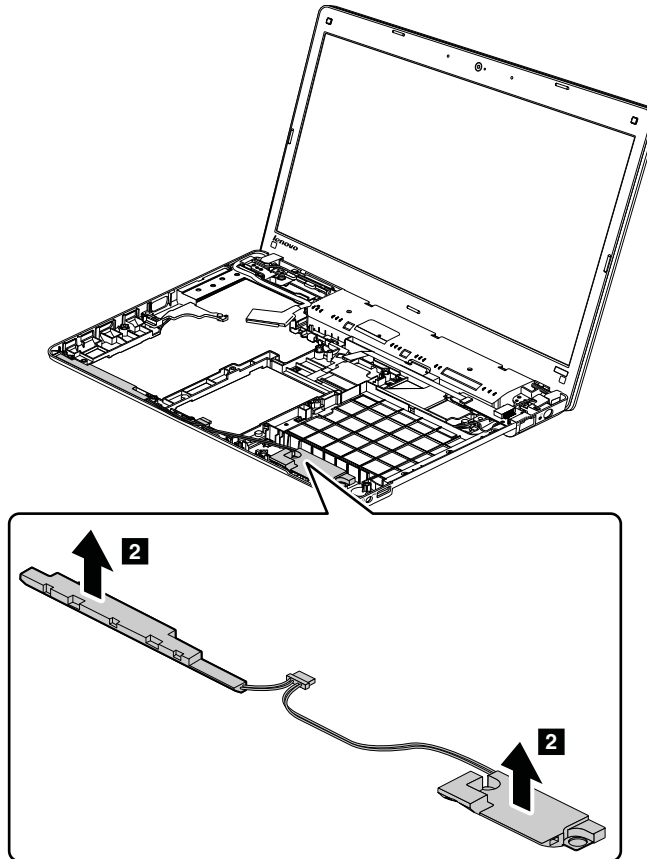


- “1140 System board assembly” on page 79

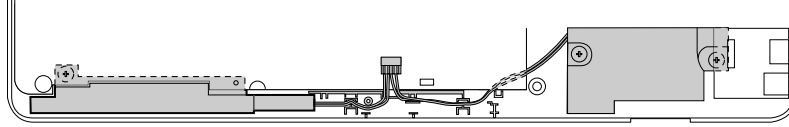
### Removal steps of the speaker assembly



| Step     | Screw (quantity)                                  | Color | Torque                    |
|----------|---|-------|---------------------------|
| <b>1</b> | M2 × 2 mm, wafer-head, nylon-coated, big head (3) | Black | 0.181 Nm<br>(1.85 kgf-cm) |



**When installing:** Attach the speaker assembly and route the cable as shown in the following figure, and make sure that the speaker connector is attached firmly.

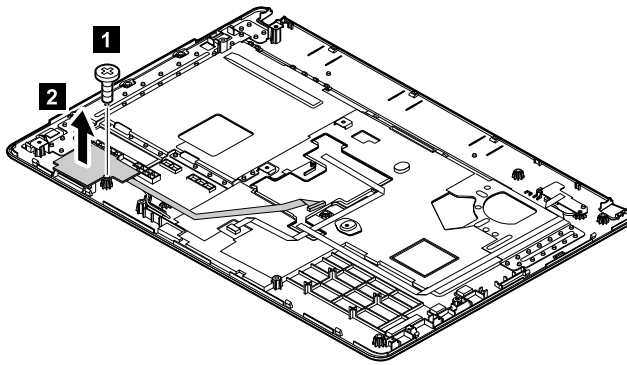


## 1160 Card reader subcard

For access, remove these FRUs in order:

- “1010 Battery pack” on page 62
- “1020 Large bottom cover” on page 62
- “1040 Optical drive or blank bezel” on page 64
- “1060 Hard disk drive assembly” on page 66
- “1110 Keyboard” on page 73
- “1120 Keyboard bezel” on page 76

### Removal steps of card the reader sub card



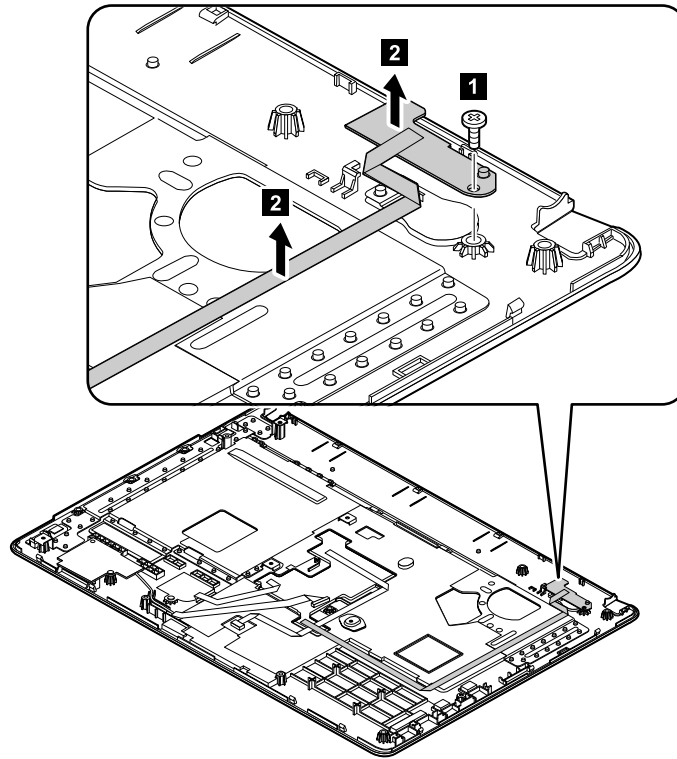
| Step     | Screw (quantity)                        | Color | Torque                    |
|----------|---|-------|---------------------------|
| <b>1</b> | M2 × 3 mm, wafer-head, nylon-coated (1) | Black | 0.181 Nm<br>(1.85 kgf-cm) |

## 1170 Power button sub card

For access, remove these FRUs in order:

- “1010 Battery pack” on page 62
- “1020 Large bottom cover” on page 62
- “1040 Optical drive or blank bezel” on page 64
- “1060 Hard disk drive assembly” on page 66
- “1110 Keyboard” on page 73
- “1120 Keyboard bezel” on page 76

## Removal steps of the power button sub card



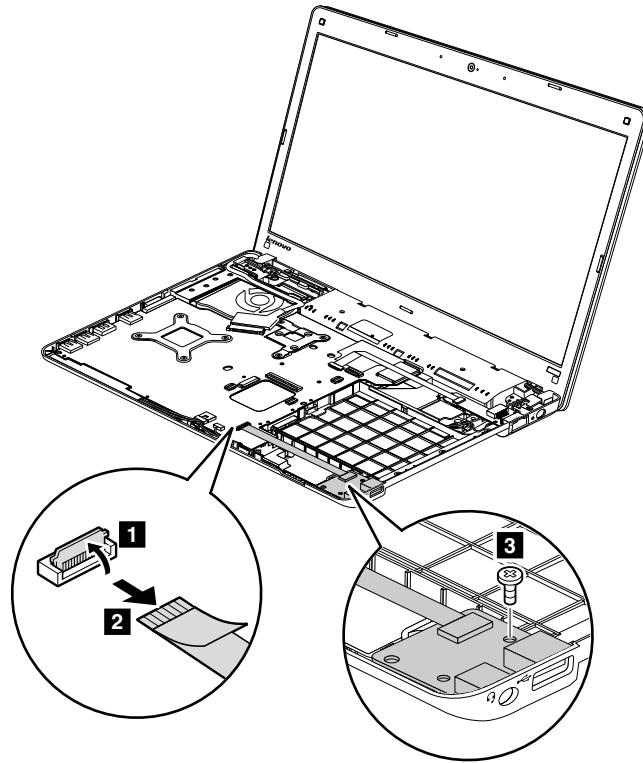
| Step     | Screw (quantity)                        | Color | Torque                    |
|----------|---|-------|---------------------------|
| <b>1</b> | M2 × 3 mm, wafer-head, nylon-coated (1) | Black | 0.181 Nm<br>(1.85 kgf-cm) |

## 1180 I/O sub card with USB connector and audio jack

For access, remove these FRUs in order:

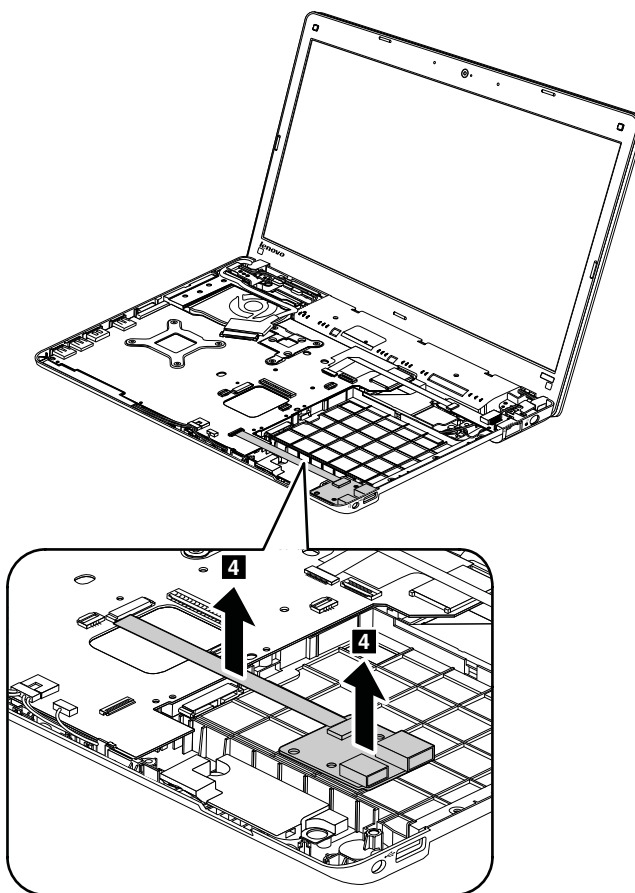
- “1010 Battery pack” on page 62
- “1020 Large bottom cover” on page 62
- “1040 Optical drive or blank bezel” on page 64
- “1060 Hard disk drive assembly” on page 66
- “1110 Keyboard” on page 73
- “1120 Keyboard bezel” on page 76

## Removal steps of the I/O sub card with USB connector and audio jack



**When installing:** Make sure that the connector is attached firmly to the system board.

| Step     | Screw (quantity)                        | Color  | Torque                    |
|----------|---|--------|---------------------------|
| <b>3</b> | M2 × 5 mm, wafer-head, nylon-coated (1) | Silver | 0.181 Nm<br>(1.85 kgf-cm) |



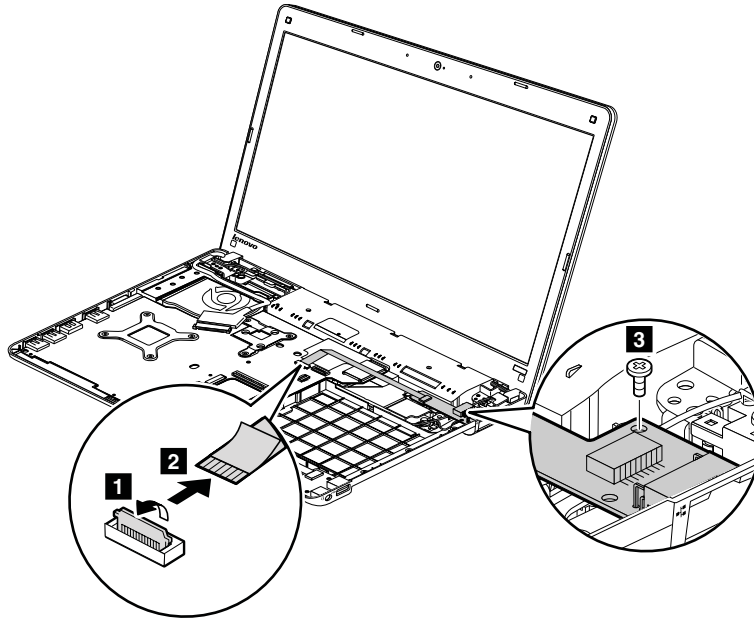
---

## 1190 RJ45 sub card

For access, remove these FRUs in order:

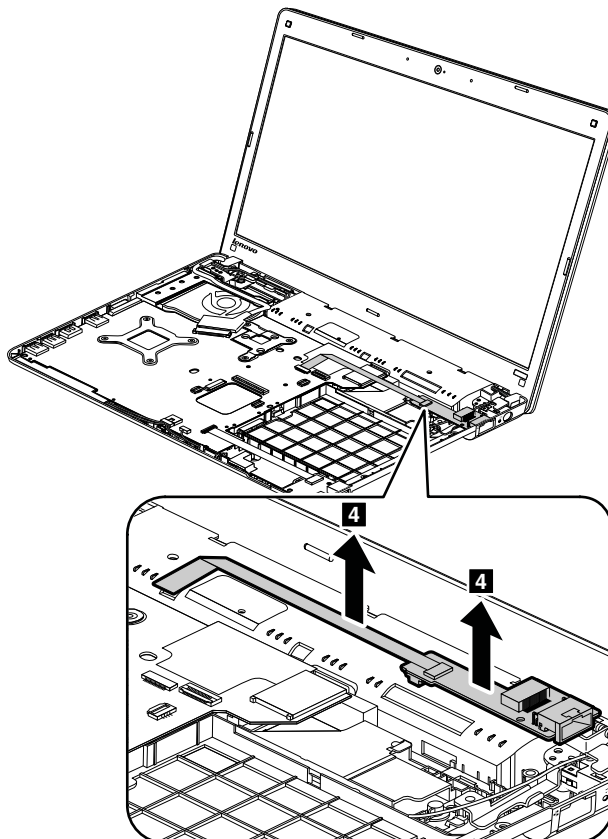
- “1010 Battery pack” on page 62
- “1020 Large bottom cover” on page 62
- “1040 Optical drive or blank bezel” on page 64
- “1060 Hard disk drive assembly” on page 66
- “1110 Keyboard” on page 73
- “1120 Keyboard bezel” on page 76

## Removal steps of the RJ45 sub card



**When installing:** Make sure that the connector is attached firmly to the system board.

| Step     | Screw (quantity)                        | Color  | Torque                    |
|----------|---|--------|---------------------------|
| <b>3</b> | M2 × 5 mm, wafer-head, nylon-coated (1) | Silver | 0.181 Nm<br>(1.85 kgf-cm) |

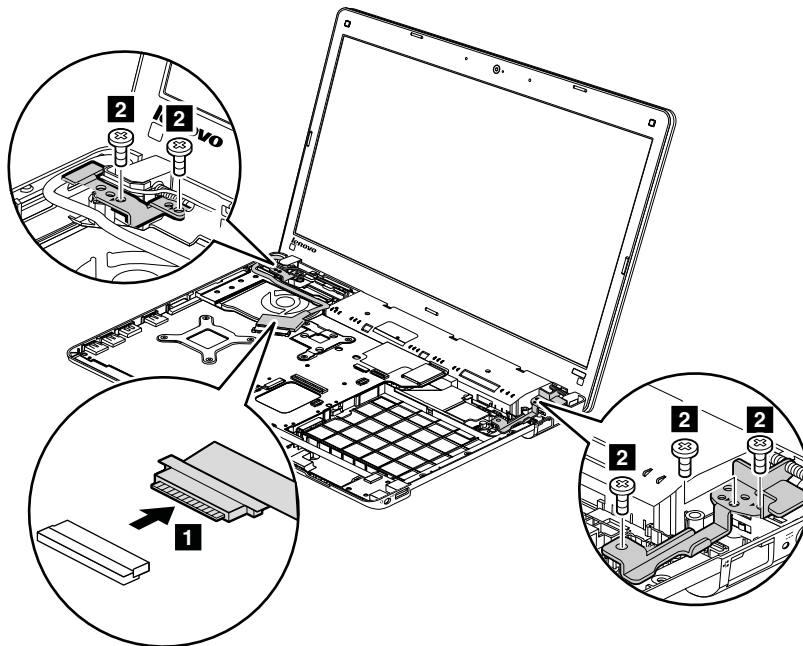


## 1200 LCD unit

For access, remove these FRUs in order:

- “1010 Battery pack” on page 62
- “1020 Large bottom cover” on page 62
- “1030 Small bottom cover” on page 63
- “1040 Optical drive or blank bezel” on page 64
- “1060 Hard disk drive assembly” on page 66
- “1070 PCI Express Mini Card for wireless LAN and wireless LAN card bracket” on page 68
- “1110 Keyboard” on page 73
- “1120 Keyboard bezel” on page 76
- “1190 RJ45 sub card” on page 87

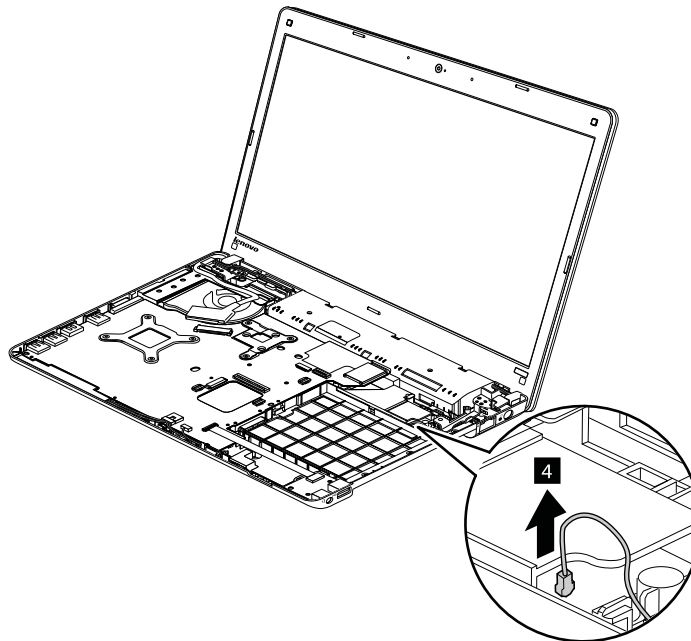
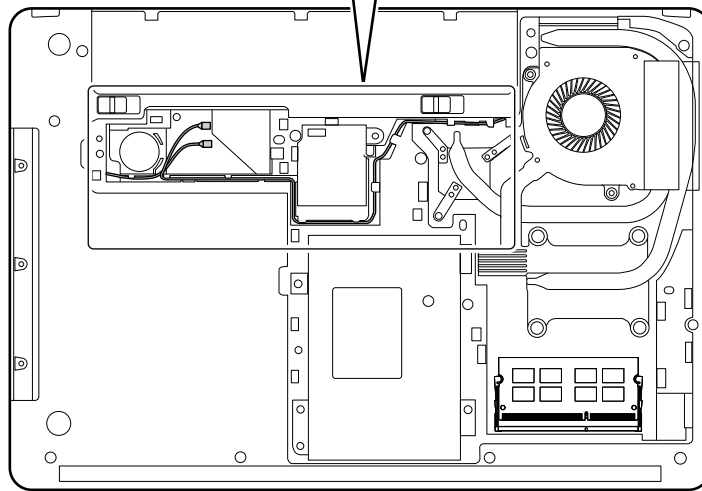
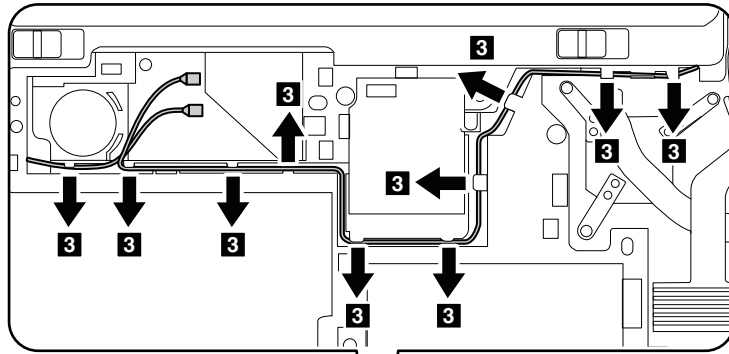
### Removal steps of the LCD unit



**When installing:** Make sure that the connector is attached firmly to the system board.

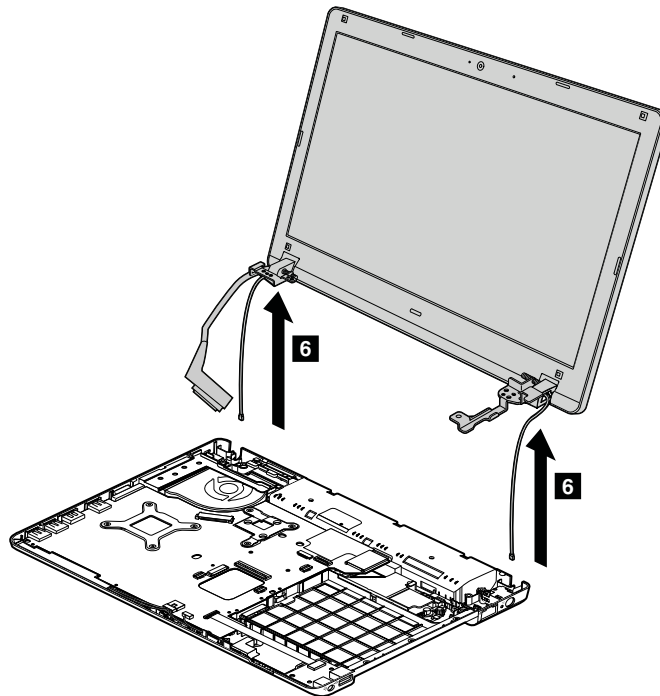
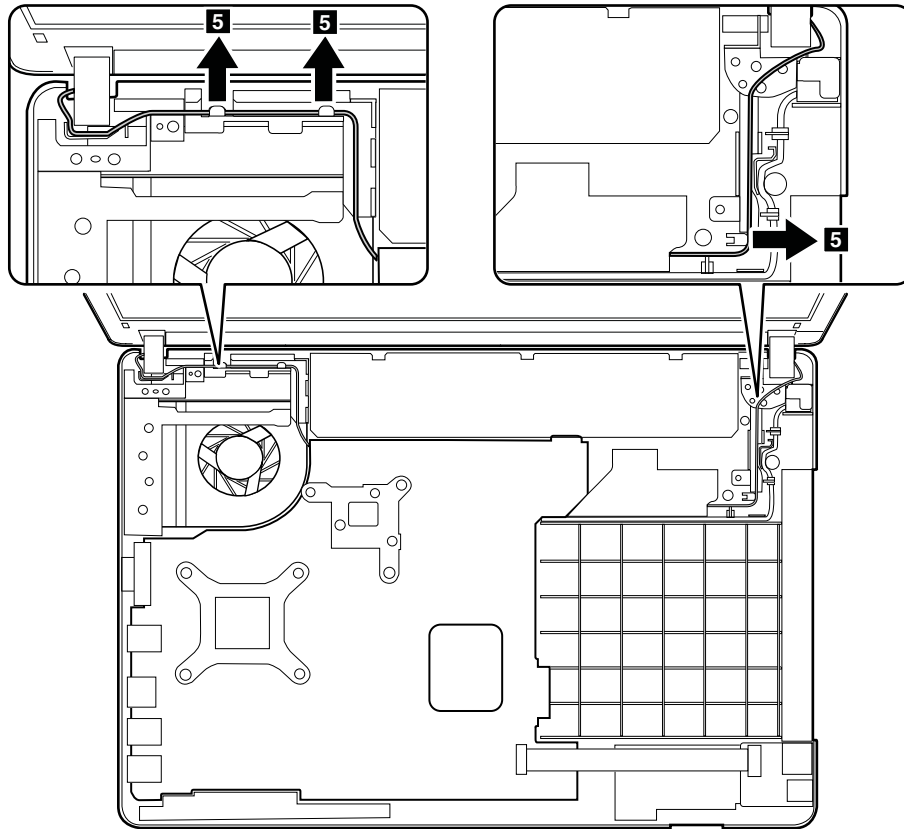
| Step | Screw (quantity)                          | Color | Torque                 |
|------|---|-------|------------------------|
| 2    | M2.5 × 5 mm, wafer-head, nylon-coated (5) | Black | 0.392 Nm<br>(4 kgf-cm) |

In step **3**, release the wireless antenna cables from the cable guides.





In step **5**, release wireless antenna cables from the cable guides.



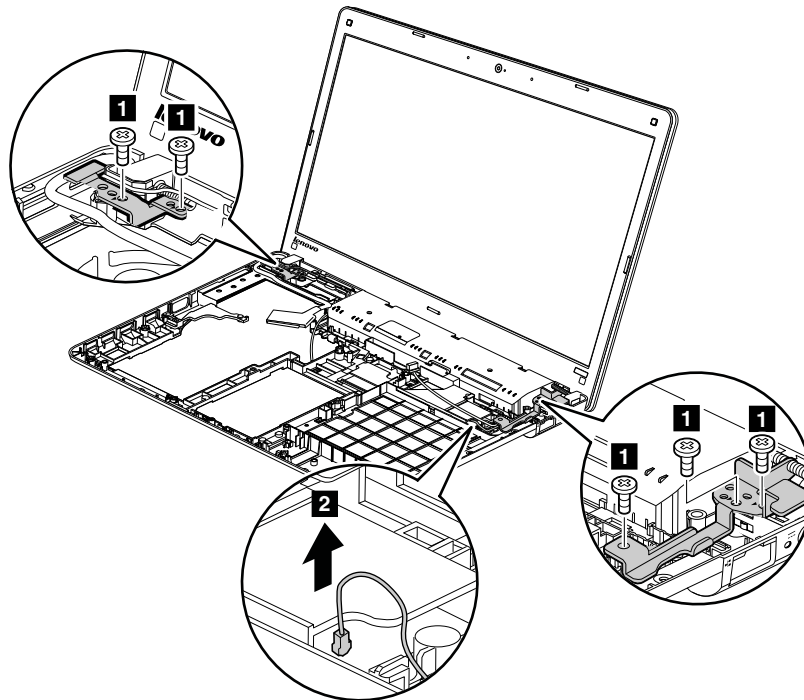
---

## 1210 Base cover assembly and DC-in connector

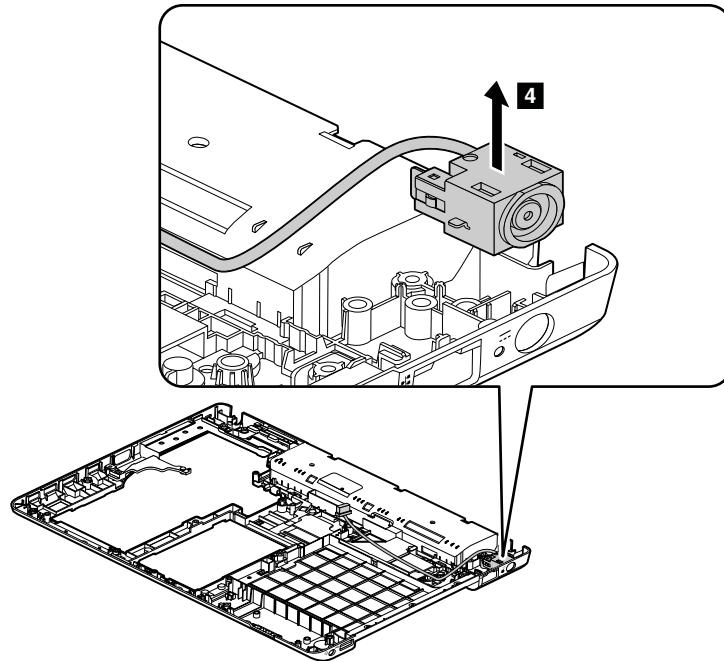
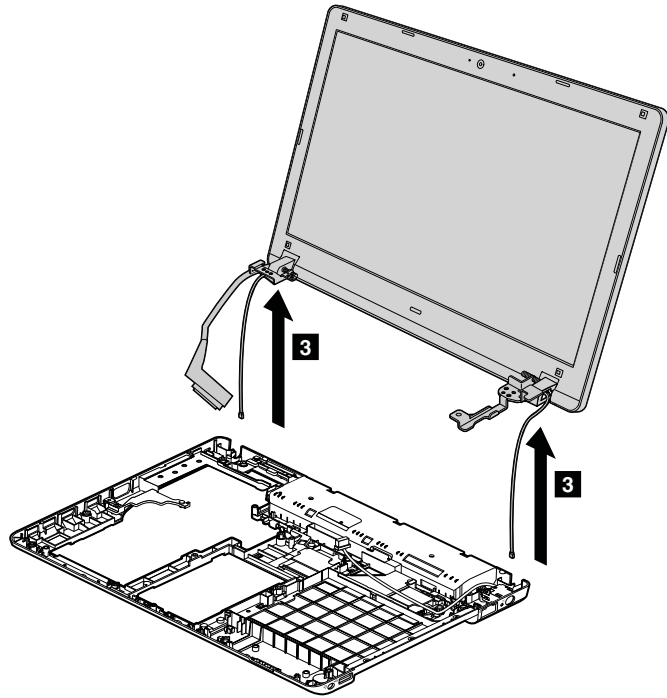
For access, remove these FRUs in order:

- “1010 Battery pack” on page 62
- “1020 Large bottom cover” on page 62
- “1030 Small bottom cover” on page 63
- “1040 Optical drive or blank bezel” on page 64
- “1060 Hard disk drive assembly” on page 66
- “1070 PCI Express Mini Card for wireless LAN and wireless LAN card bracket” on page 68
- “1080 Backup battery” on page 70
- “1090 Thermal fan” on page 71
- “1100 Thermal pipes” on page 71
- “1110 Keyboard” on page 73
- “1120 Keyboard bezel” on page 76
- “1140 System board assembly” on page 79
- “1150 Speaker assembly” on page 82
- “1170 Power button sub card” on page 84
- “1180 I/O sub card with USB connector and audio jack” on page 85
- “1190 RJ45 sub card” on page 87

**Removal steps of the base cover assembly and the DC-in connector**



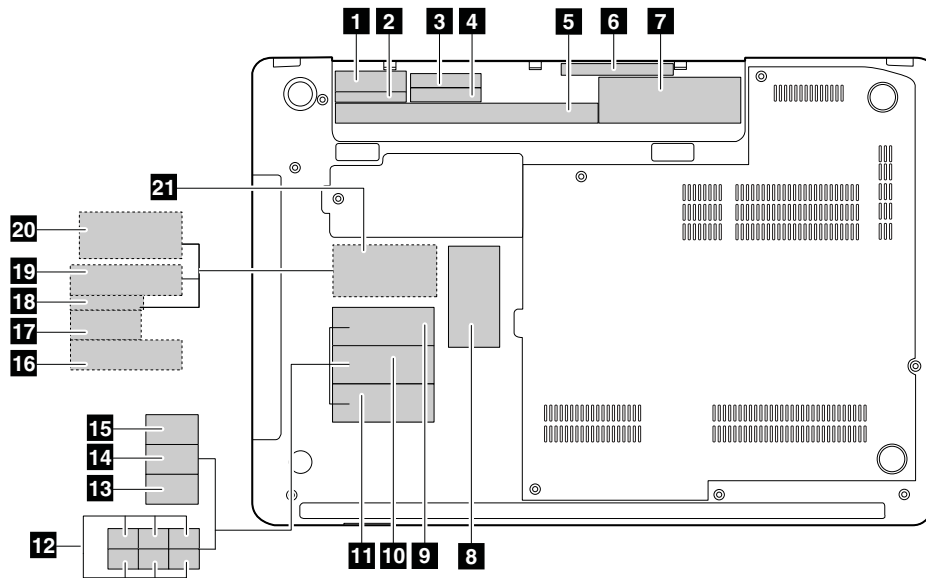
| Step     | Screw (quantity)                          | Color | Torque                 |
|----------|---|-------|------------------------|
| <b>1</b> | M2.5 × 5 mm, wafer-head, nylon-coated (5) | Black | 0.392 Nm<br>(4 kgf-cm) |



### Applying labels to the base cover

The new base cover FRU is shipped with a kit containing labels of several kinds.

The following illustration shows the correct location of each label.



If the Windows Certificate of Authentication (COA) label **7** is attached to a part that is replaced, return the old part with the label attached to the customer, or provide a letter to the customer stating what the label was originally on the computer and what the label part number, serial number, and product key were.

When you replace the base cover, apply the FCC label **3** and serial number label **4**.

The following labels need to be peeled off from the old base cover, and need to be adhered to the new base cover.

- |   |   |
|---|---|
| <b>1</b> GEO label  | <b>13</b> Brazil ANATEL label for wireless 3G       |
| <b>2</b> GEO label for Taiwan only                        | <b>14</b> Brazil ANATEL label for Bluetooth         |
| <b>5</b> Rating label                                     | <b>15</b> Brazil ANATEL label for wireless LAN card |
| <b>6</b> Japan warning US battery label                   | <b>16</b> Non-encryption label                      |
| <b>8</b> Asset tag  | <b>17</b> China GEO label                           |
| <b>9</b> Israel homologation label for 3G                 | <b>18</b> China CECP label                          |
| <b>10</b> Israel homologation label for Bluetooth         | <b>19</b> Indonesia rating label                    |
| <b>11</b> Israel homologation label for wireless LAN card | <b>20</b> Hard disk drive warranty label            |
| <b>12</b> SIRIM label or Indonesia POSTEL label           | <b>21</b> Swiss SIM ICCID label                     |

If the base cover has two FCC labels, apply both to the new base cover.

---

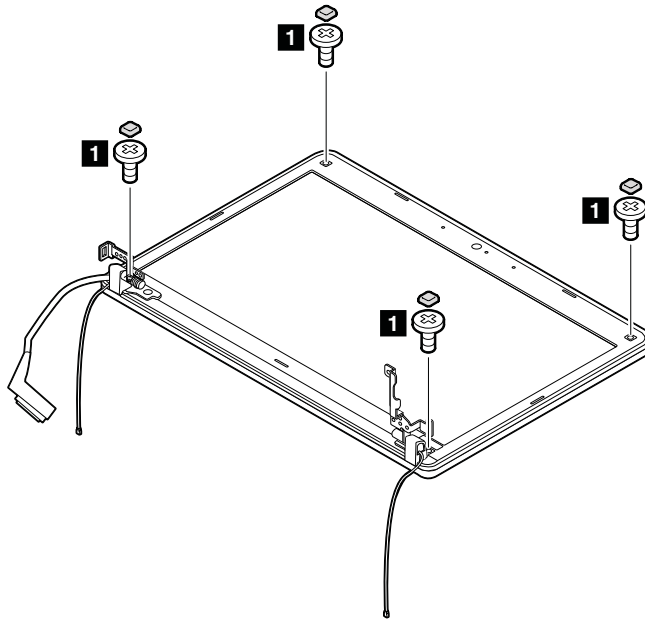
## 2010 LCD bezel assembly

For access, remove these FRUs in order:

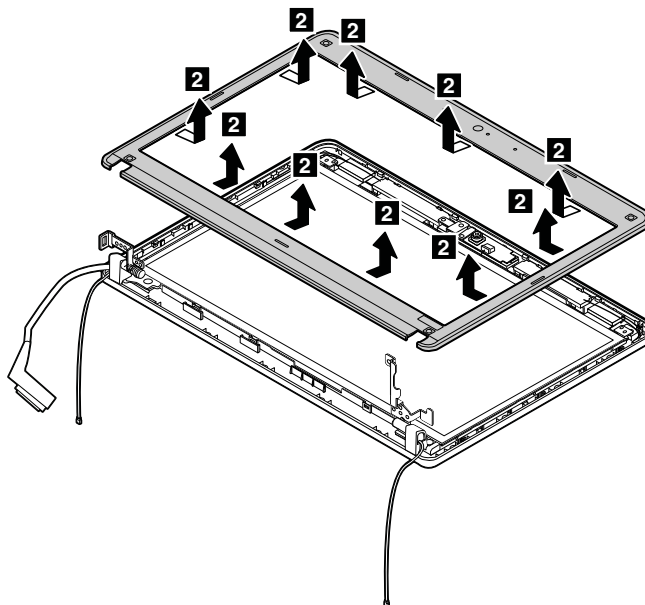
- “1010 Battery pack” on page 62
- “1020 Large bottom cover” on page 62
- “1030 Small bottom cover” on page 63
- “1040 Optical drive or blank bezel” on page 64
- “1060 Hard disk drive assembly” on page 66
- “1070 PCI Express Mini Card for wireless LAN and wireless LAN card bracket” on page 68
- “1110 Keyboard” on page 73
- “1120 Keyboard bezel” on page 76

- “1190 RJ45 sub card” on page 87
- “1200 LCD unit” on page 89

### Removal steps of the LCD bezel assembly



| Step     | Screw (quantity)   | Color  | Torque                 |
|----------|--|--------|------------------------|
| <b>1</b> | M2 × 4.5 mm, wafer-head, nylon-coated (4), with screw caps | Silver | 0.392 Nm<br>(4 kgf-cm) |



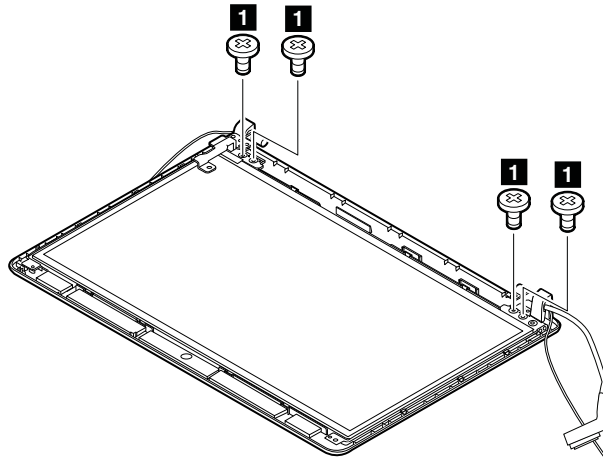
**When installing:** Make sure that all the latches are attached firmly. Then secure the bezel with the screws.

## 2020 LCD panel and hinges

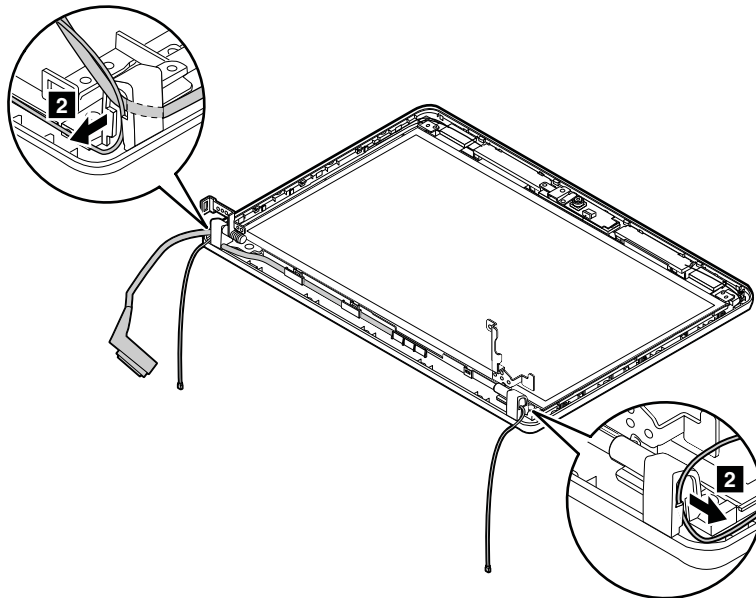
For access, remove these FRUs in order:

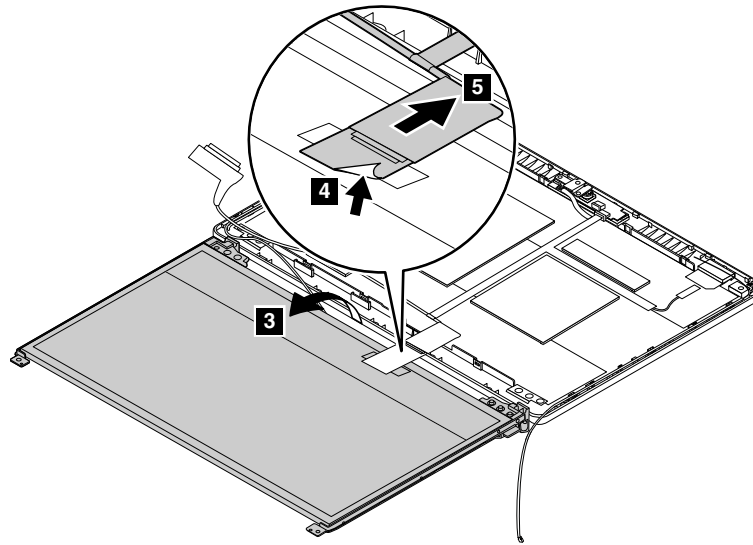
- “1010 Battery pack” on page 62
- “1020 Large bottom cover” on page 62
- “1030 Small bottom cover” on page 63
- “1040 Optical drive or blank bezel” on page 64
- “1060 Hard disk drive assembly” on page 66
- “1070 PCI Express Mini Card for wireless LAN and wireless LAN card bracket” on page 68
- “1110 Keyboard” on page 73
- “1120 Keyboard bezel” on page 76
- “1190 RJ45 sub card” on page 87
- “1200 LCD unit” on page 89
- “2010 LCD bezel assembly” on page 94

**Removal steps of the LCD panel**



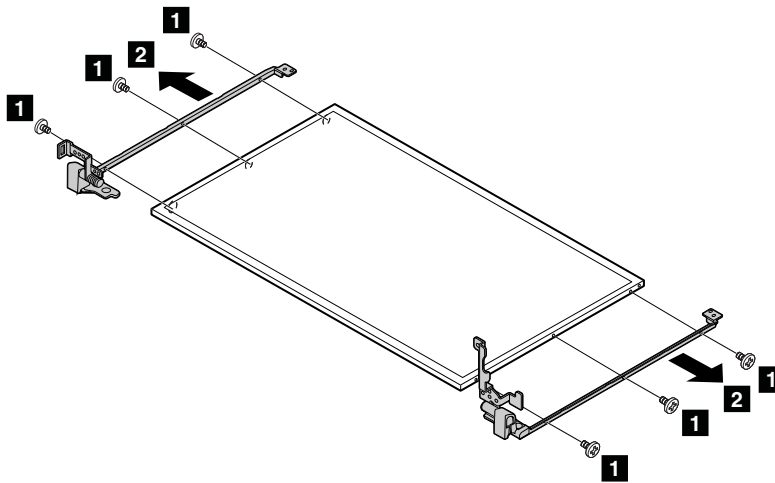
| Step     | Screw (quantity)                          | Color | Torque                 |
|----------|---|-------|------------------------|
| <b>1</b> | M2.5 × 4 mm, wafer-head, nylon-coated (4) | Black | 0.294 Nm<br>(3 kgf-cm) |





**When installing:** Make sure that the LCD connector is attached firmly.

### Removal steps of hinges



| Step     | Screw (quantity)                                    | Color | Torque                    |
|----------|---|-------|---------------------------|
| <b>1</b> | M2 × 3 mm, wafer-head, nylon-coated, small head (6) | Black | 0.181 Nm<br>(1.85 kgf-cm) |

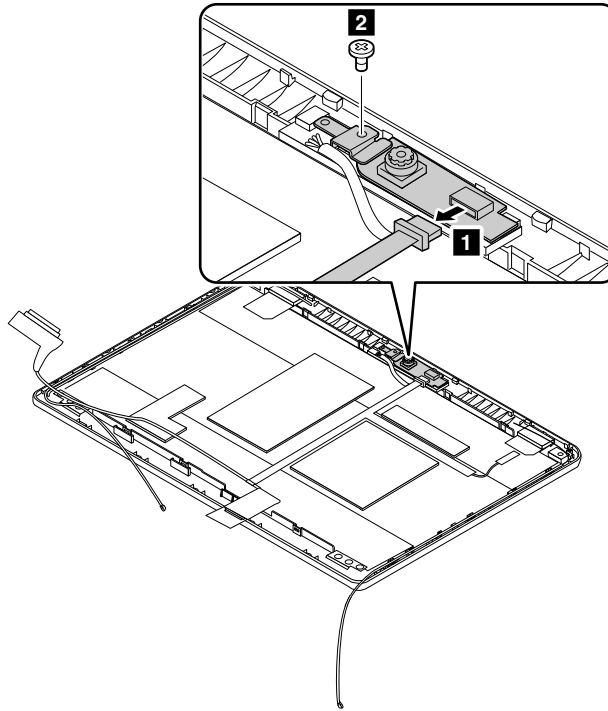
## 2030 Camera assembly and LCD cables with dual microphones

For access, remove these FRUs in order:

- “1010 Battery pack” on page 62
- “1020 Large bottom cover” on page 62
- “1030 Small bottom cover” on page 63
- “1040 Optical drive or blank bezel” on page 64
- “1060 Hard disk drive assembly” on page 66
- “1070 PCI Express Mini Card for wireless LAN and wireless LAN card bracket” on page 68
- “1110 Keyboard” on page 73
- “1120 Keyboard bezel” on page 76
- “1190 RJ45 sub card” on page 87

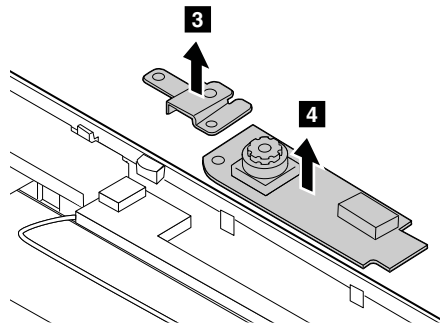
- “1200 LCD unit” on page 89
- “2010 LCD bezel assembly” on page 94
- “2020 LCD panel and hinges” on page 95

**Removal steps of the camera**



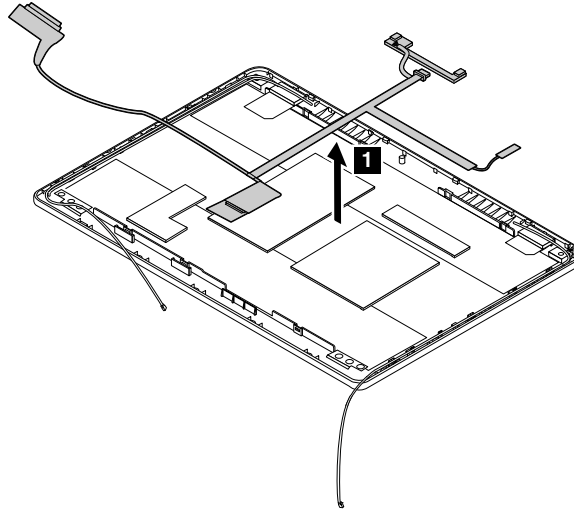
| Step     | Screw (quantity)                                    | Color | Torque                    |
|----------|---|-------|---------------------------|
| <b>2</b> | M2 × 3 mm, wafer-head, nylon-coated, small head (1) | Black | 0.181 Nm<br>(1.85 kgf-cm) |

**When installing:** Make sure that the connector is attached firmly.



**Removal steps of LCD cables with dual microphones**





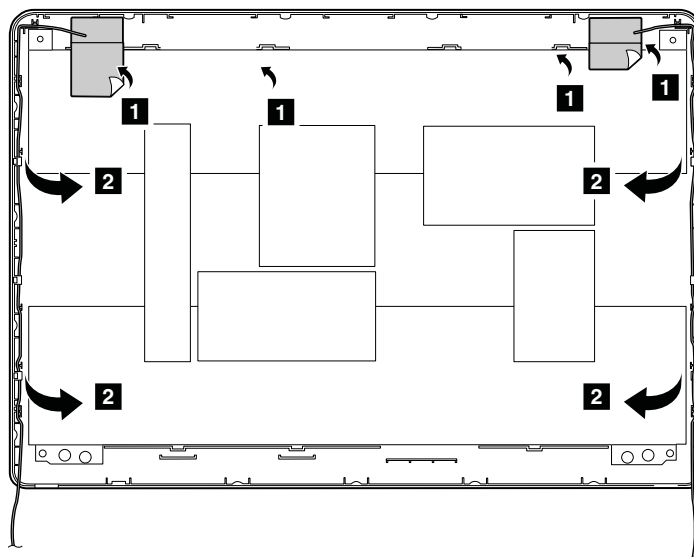
## 2040 Wireless antenna assembly and LCD rear cover assembly

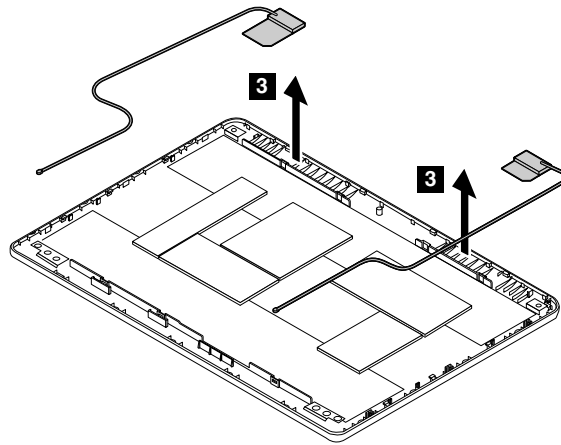
For access, remove these FRUs in order:

- “1010 Battery pack” on page 62
- “1020 Large bottom cover” on page 62
- “1030 Small bottom cover” on page 63
- “1040 Optical drive or blank bezel” on page 64
- “1060 Hard disk drive assembly” on page 66
- “1070 PCI Express Mini Card for wireless LAN and wireless LAN card bracket” on page 68
- “1110 Keyboard” on page 73
- “1120 Keyboard bezel” on page 76
- “1190 RJ45 sub card” on page 87
- “1200 LCD unit” on page 89
- “2010 LCD bezel assembly” on page 94
- “2020 LCD panel and hinges” on page 95
- “2030 Camera assembly and LCD cables with dual microphones” on page 97

### Removal steps of the wireless antenna assembly and the LCD rear cover assembly

Release the antenna cables from the cable guides on the LCD rear cover assembly.

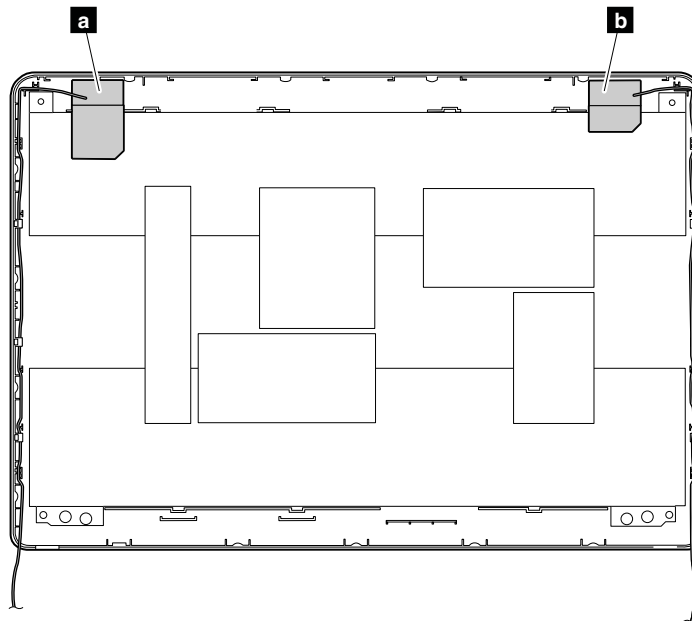




**Cable routing:** When you install the wireless antenna assembly, route the cables as shown in the following illustration.

**Attention:** When you route the cables, ensure that they are not subject to any tension. Tension could cause the cables to be damaged by the cable guides, or a wire to be broken.

- a** Wireless LAN AUX antenna (black)
- d** Wireless LAN MAIN antenna (gray)



---

## Appendix A. Notices

Lenovo may not offer the products, services, or features discussed in this document in all countries. Consult your local Lenovo representative for information on the products and services currently available in your area. Any reference to a Lenovo product, program, or service is not intended to state or imply that only that Lenovo product, program, or service may be used. Any functionally equivalent product, program, or service that does not infringe any Lenovo intellectual property right may be used instead. However, it is the user's responsibility to evaluate and verify the operation of any other product, program, or service.

Lenovo may have patents or pending patent applications covering subject matter described in this document. The furnishing of this document does not give you any license to these patents. You can send license inquiries, in writing, to:

*Lenovo (United States), Inc.  
1009 Think Place - Building One  
Morrisville, NC 27560  
U.S.A.  
Attention: Lenovo Director of Licensing*

LENOVO PROVIDES THIS PUBLICATION "AS IS" WITHOUT WARRANTY OF ANY KIND, EITHER EXPRESS OR IMPLIED, INCLUDING, BUT NOT LIMITED TO, THE IMPLIED WARRANTIES OF NON-INFRINGEMENT, MERCHANTABILITY OR FITNESS FOR A PARTICULAR PURPOSE. Some jurisdictions do not allow disclaimer of express or implied warranties in certain transactions, therefore, this statement may not apply to you.

This information could include technical inaccuracies or typographical errors. Changes are periodically made to the information herein; these changes will be incorporated in new editions of the publication. Lenovo may make improvements and/or changes in the product(s) and/or the program(s) described in this publication at any time without notice.

The products described in this document are not intended for use in implantation or other life support applications where malfunction may result in injury or death to persons. The information contained in this document does not affect or change Lenovo product specifications or warranties. Nothing in this document shall operate as an express or implied license or indemnity under the intellectual property rights of Lenovo or third parties. All information contained in this document was obtained in specific environments and is presented as an illustration. The result obtained in other operating environments may vary.

Lenovo may use or distribute any of the information you supply in any way it believes appropriate without incurring any obligation to you.

Any references in this publication to non-Lenovo Web sites are provided for convenience only and do not in any manner serve as an endorsement of those Web sites. The materials at those Web sites are not part of the materials for this Lenovo product, and use of those Web sites is at your own risk.

Any performance data contained herein was determined in a controlled environment. Therefore, the result obtained in other operating environments may vary significantly. Some measurements may have been made on development-level systems and there is no guarantee that these measurements will be the same on generally available systems. Furthermore, some measurements may have been estimated through extrapolation. Actual results may vary. Users of this document should verify the applicable data for their specific environment.

---

## Electronic emission notices

For electronic emission information on Class B digital devices, refer to the corresponding information in the *User Guide*.

EU contact: Lenovo, Einsteinova 21, 851 01 Bratislava, Slovakia



---

## Trademarks

The following terms are trademarks of Lenovo in the United States, other countries or both:

Lenovo  
ThinkPad  
TrackPoint  
UltraNav

Microsoft, Windows, and Windows Server are trademarks of the Microsoft group of companies.

Other company, product, or service names may be the trademarks or service marks of others.

---

## Abbreviation table

The following table lists all abbreviations used in this manual.

| Abbreviation | Term  |
|--------------|---|
| 3G           | The 3 <sup>rd</sup> Generation Telecommunication    |
| BGA          | Ball Grid Array                                     |
| BIOS         | Basic Input / Output System                         |
| CD           | Compact Disc  |
| CMOS         | Complementary Metal Oxide Semiconductor             |
| CMV          | Custom Model Variant                                |
| COA          | Certificate of Authentication                       |
| CPU          | Central Processing Unit                             |
| CRC          | Cyclic redundancy check                             |
| CRT          | Cathode ray tube                                    |
| CRU          | Customer Replaceable Unit                           |
| CTO          | Configure To Order                                  |
| DC           | Direct current                                      |
| DVD          | Digital Video Disc                                  |
| EAIA         | Enhanced Asset Information Area                     |
| ECA          | Engineering Change Announcements                    |
| EEPROM       | Electrically Erasable Programmable Read-Only Memory |
| EFI          | Extensible Firmware Interface                       |

| <b>Abbreviation</b> | <b>Term</b>                                |
|---------------------|--|
| EPO                 | Emergency power-off                        |
| ESD                 | Electrostatic discharge                    |
| EU                  | European Union                             |
| FCC                 | Federal Communications Commission          |
| FRU                 | Field Replaceable Unit                     |
| GAV                 | General Announce Variant                   |
| GPU                 | Graphics Processing Unit                   |
| HDD                 | Hard Disk Drive                            |
| HDMI                | High-definition multimedia interface       |
| ICs                 | Integrated circuits                        |
| ICCID               | Integrate circuit card identity            |
| ISO                 | International Standardization Organization |
| LAN                 | Local area network                         |
| LCD                 | Liquid Crystal Display                     |
| MAC                 | Media Access Control                       |
| MT                  | Machine type                               |
| MTM                 | Machine type and model                     |
| PC                  | Personal Computer                          |
| PCH                 | Platform Controller Hub                    |
| POST                | Power-on self-test                         |
| RAM                 | Random Access Memory                       |
| RF                  | Radio frequency                            |
| RFID                | Radio-frequency identification             |
| RI                  | Ring indicator                             |
| RJ                  | Registered jack                            |
| SATA                | Serial Advanced Technology Attachment      |
| SIM                 | Subscriber Identity Module                 |
| SVP                 | Supervisor password                        |
| TFTs                | Thin-film transistors                      |
| UEFI                | Unified Extensible Firmware Interface      |
| USB                 | Universal Serial Bus                       |
| UUID                | Universally Unique Identifier              |
| VGA                 | Video graphics array                       |
| VRAM                | Video Random Access Memory                 |





**ThinkPad®**

Part Number: 0C11030

Printed in China

(1P) P/N: 0C11030



